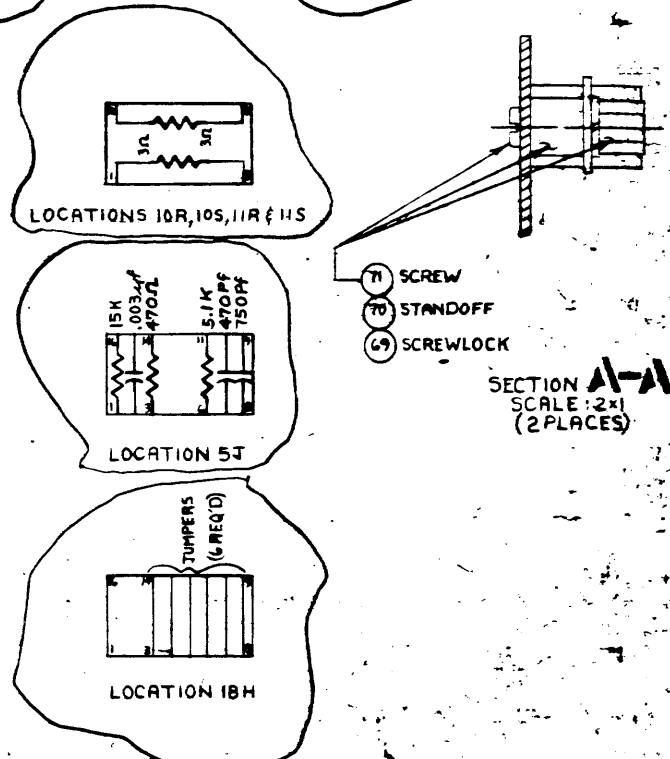
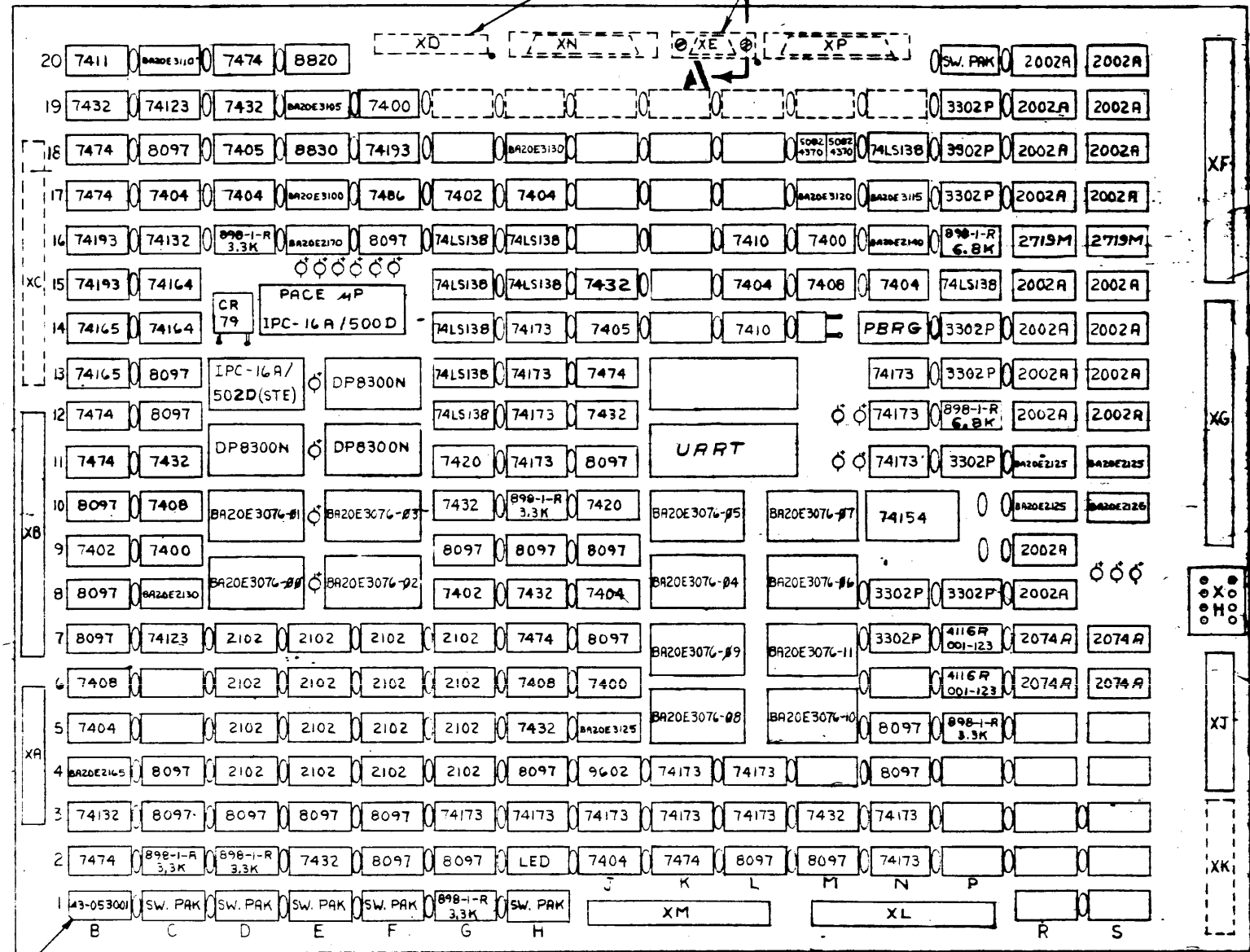
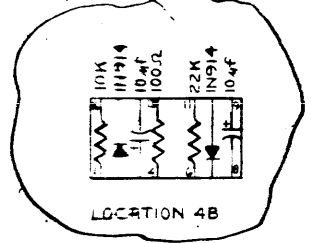
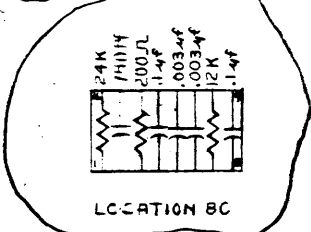
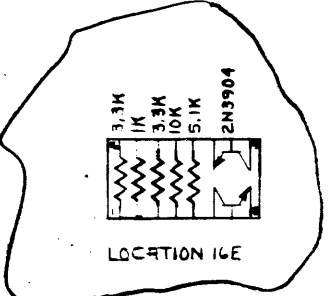
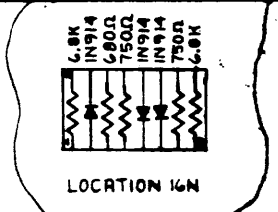
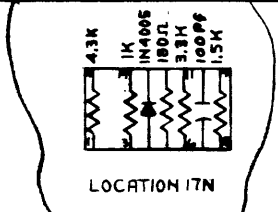
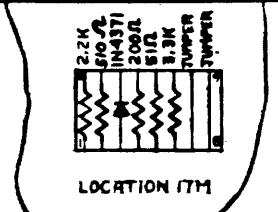
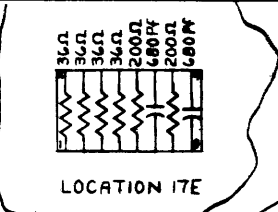
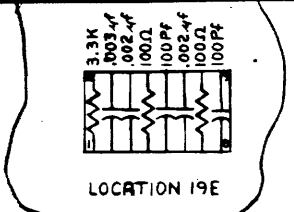
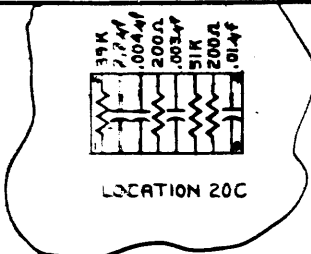


CV Digitizer (CVD)-Series 3

Logic Diagrams

PROPRIETARY NOTICE

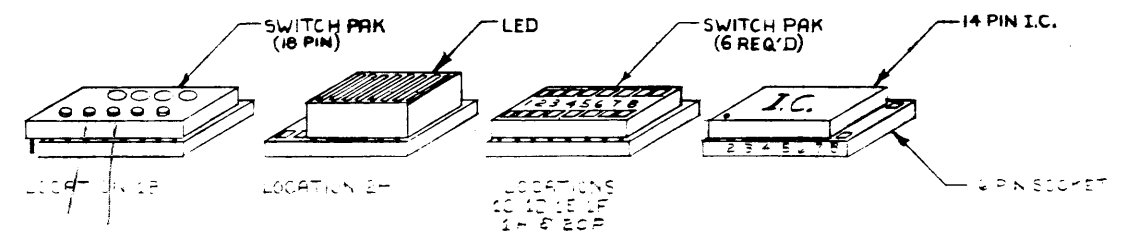
The information and drawings contained herein are the sole property of Computervision Corporation. Use of this document is reserved exclusively for Computervision personnel. Reproduction of this matter in whole or in part is forbidden without the express written consent of Computervision.



DA20E3050

SEE NOTE 2

- NOTES:
- 1 REMOVE SOLDER MASK FROM AREAS INDICATED. INSTALL CONNECTORS XD & XE ON FAR SIDE OF BOARD (SEE NOTE 3) AND SOLDER.
 - 2 LOCATE SW. PAK IN THIS CORNER, TYPICAL FOR THIS BOARD.
 - 3 REMOVE SOLDER MASK FROM CONNECTOR XD FOR KEYING BEFORE SOLDERING IN PLACE.

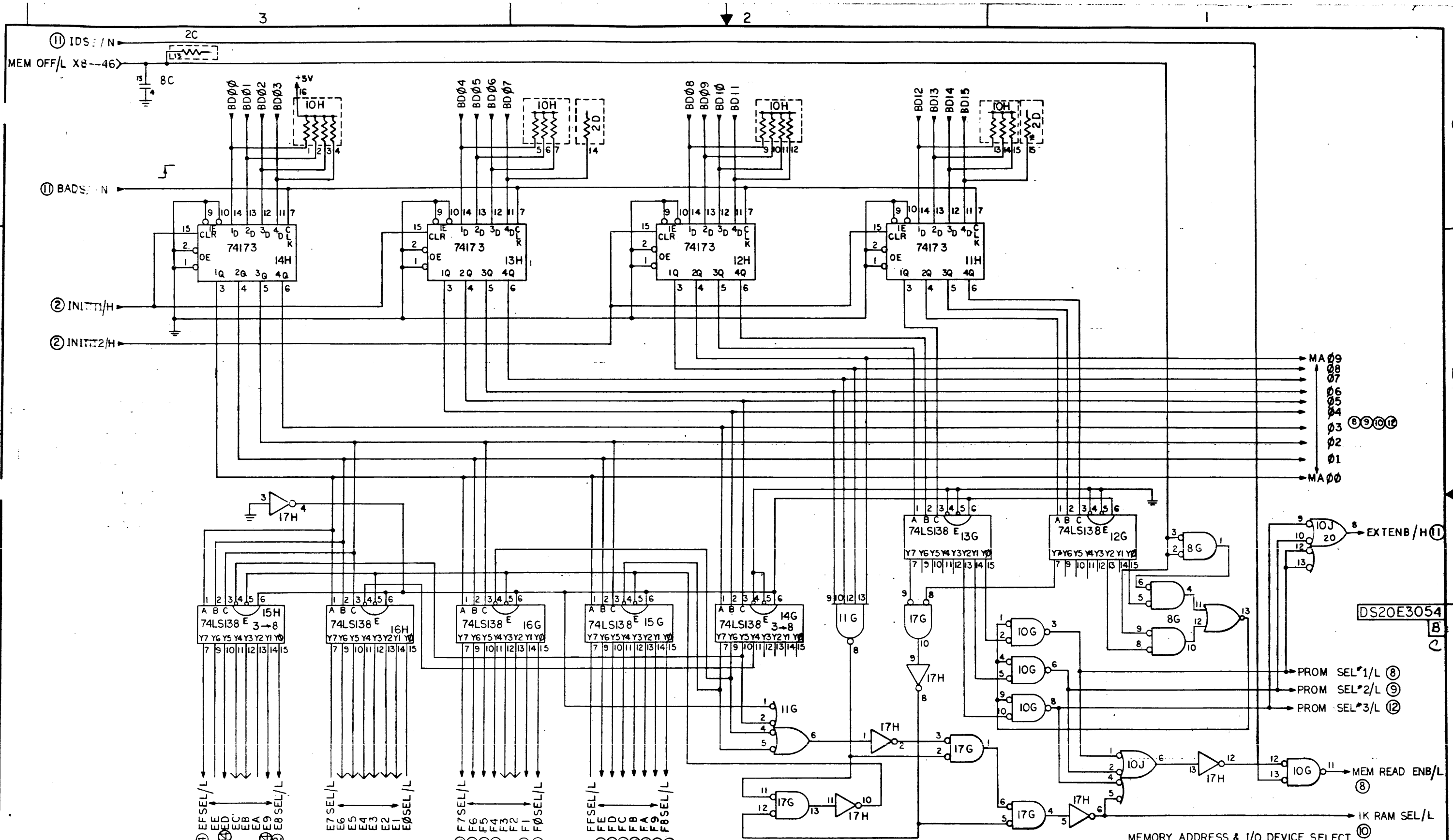


TOLERANCES		DECIMAL	
XX	± .05		
.XXX	± .005		
XXXX	± .001		
FRACTIONAL		ANGULAR & TPO	
DENOMINATOR		TITLE	
REV. NO.		REV. DESCRIPTION	
DATE		DATE	
PART NUMBER		NEXT ASSEMBLY	
QTY.		QTY.	
MFG.		SCALE	
SIGNATURE DATE		SCALE	
REMOVE ALL SURFS AND SHARP EDGES		SCALE	
REV. A		SCALE	

COMPUTERVISION CORP.
SOUTH AVENUE
BURLINGTON, MASS. 01803

DA20E3050

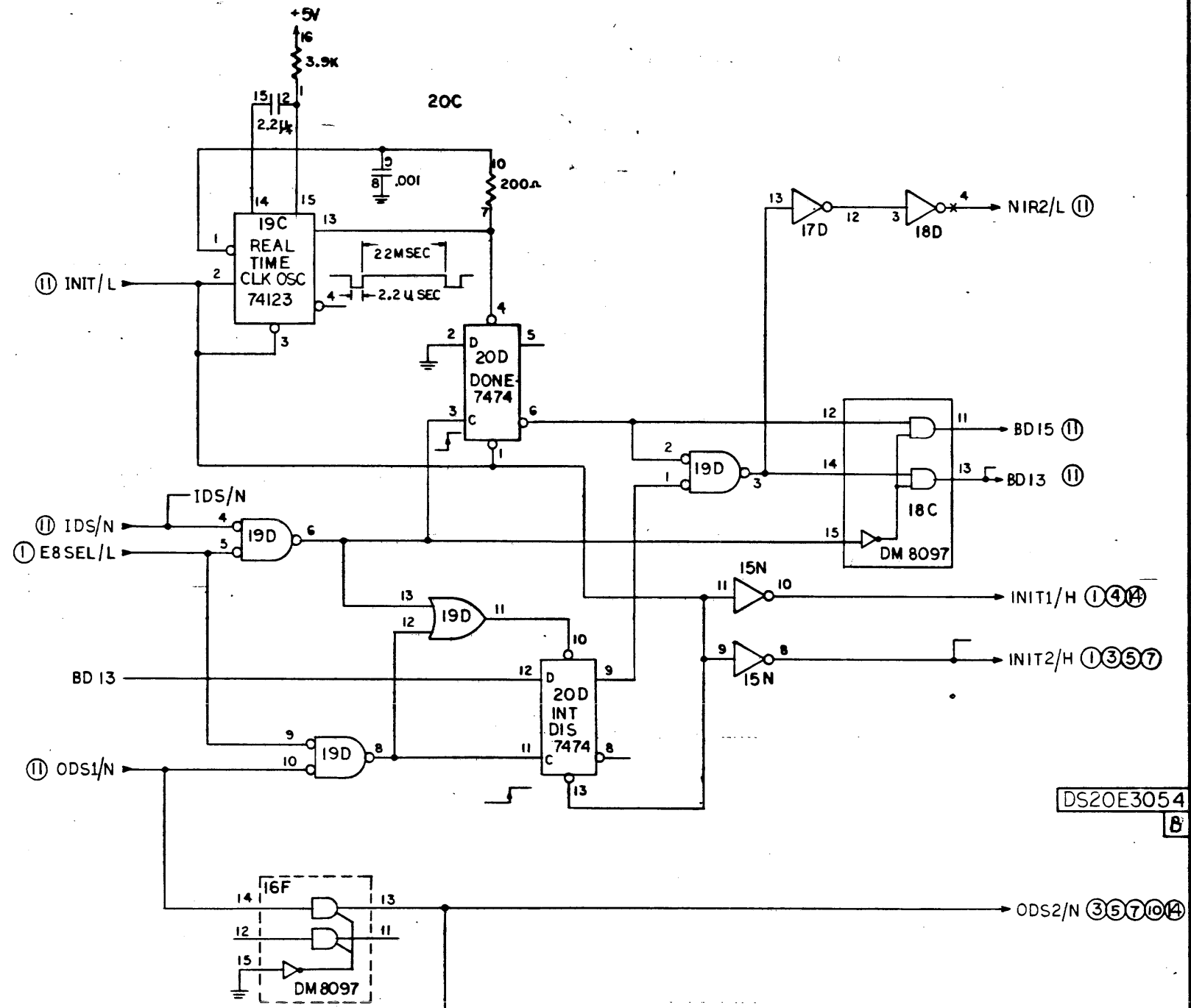
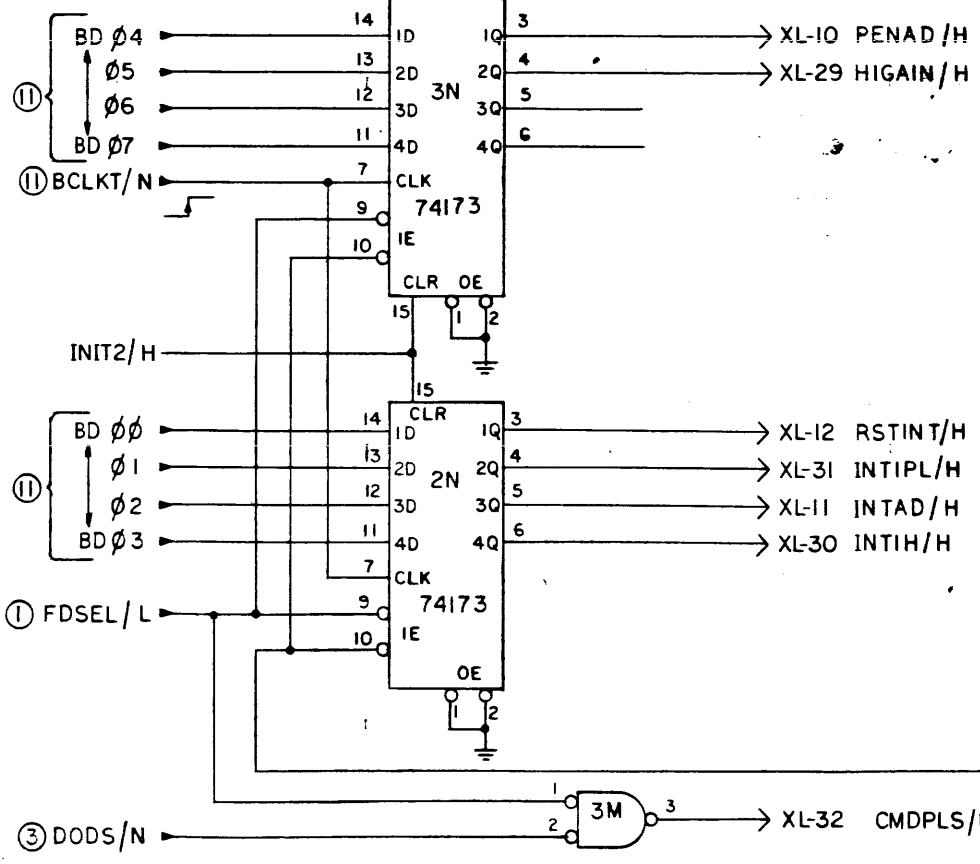
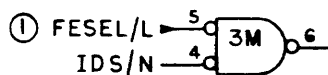
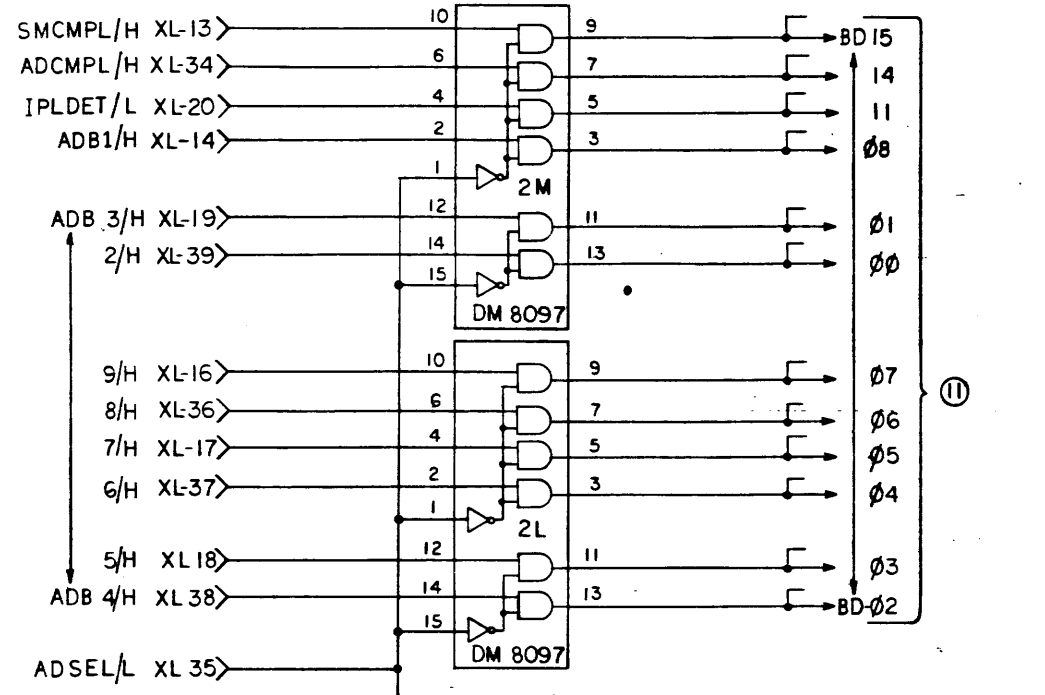
REV. A



MEMORY ADDRESS & I/O DEVICE SELECT

THIS DRAWING CONTAINS INFORMATION PROPRIETARY TO COMPUTERVISION CORPORATION AND IS NOT TO BE USED OR REPRODUCED WITHOUT PERMISS- SION OF COMPUTERVISION CORPORATION.				TOLERANCES DECIMAL XX .XX ± .01 XXX .XXX ± .005 FRACTIONAL ANGULAR ± .001	
MATERIAL:				B ECO #2103	
PART NUMBER				A REL ECO 2270	
NEXT ASSEMBLY				SYN REVISION DESCRIPTION APPR DATE	
QTY				TITLE SCHEMATIC DIAGRAM LOGIC BOARD	
COMPUTERVISION CORP. SOUTH AVENUE BURLINGTON, MASS. 01803				SCALE NONE	
REMOVE ALL BURRS AND SHARP EDGES				PART NO. DS20E3054	
				SHEET 1 OF 14 SHEETS	

REV A = REV I

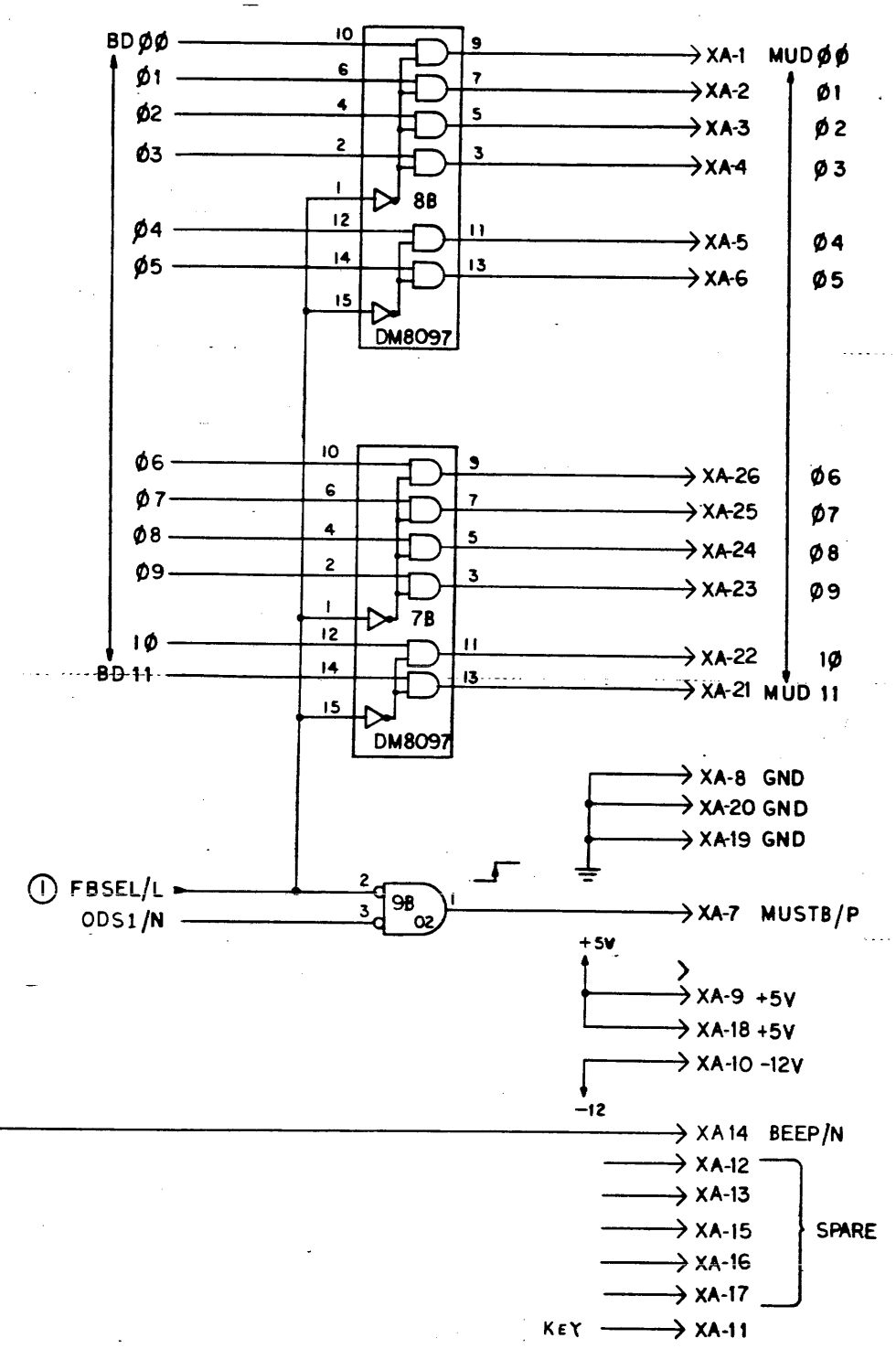
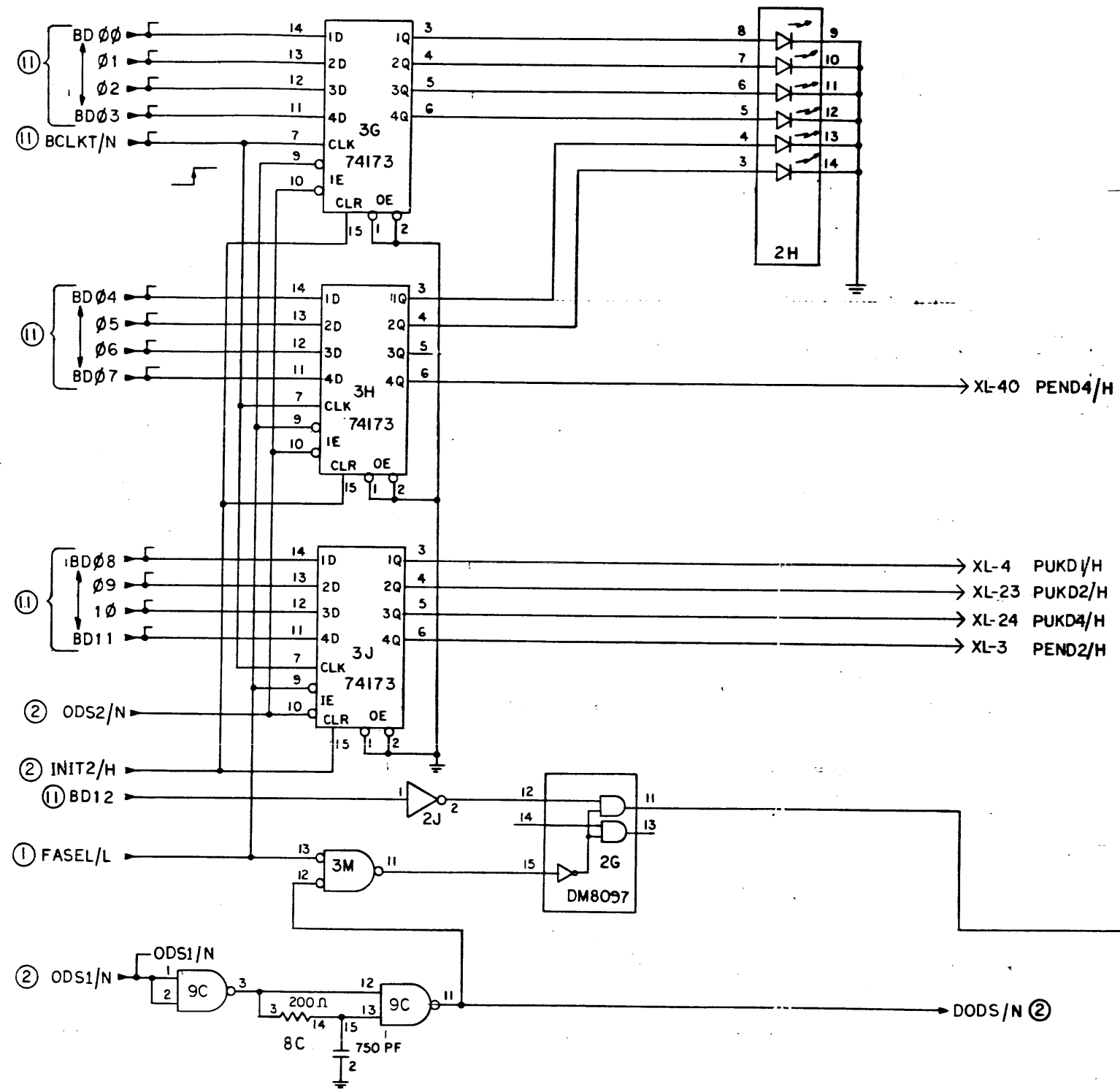


DS20E3054

B

WIRE PULSE & RESPONSE AND REAL TIME CLK

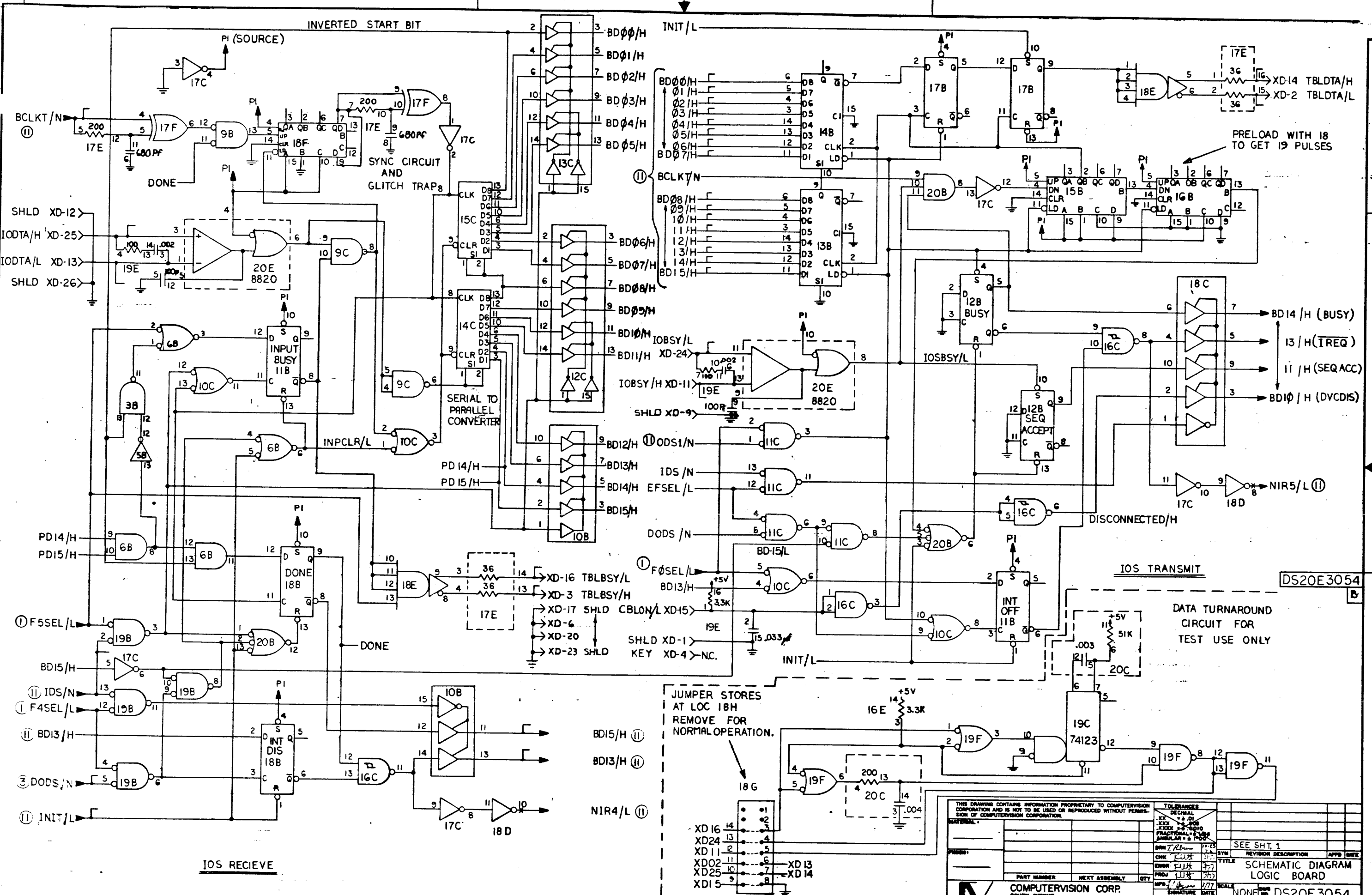
THIS DRAWING CONTAINS INFORMATION PROPRIETARY TO COMPUTERVISION CORPORATION AND IS NOT TO BE USED OR REPRODUCED WITHOUT PERMISSION OF COMPUTERVISION CORPORATION.		TOLERANCES DIM. DECIMAL XXX ±.01 XXX ±.0010 FRACTIONAL ±.005 ANGULAR ±.1000	REV. 1/1/78	SYM	APPD DATE
MATERIAL:			DRN T. Wilson	7/75	SEE SHT. 1
PART NUMBER		SEE SHT. 1	CHK J. J. B.	7/75	TITLE
NEXT ASSEMBLY			ENGR J. J. B.	7/75	SCHEMATIC DIAGRAM
QTY			PROJ J. J. B.	7/75	LOGIC BOARD
COMPUTERVISION CORP.			MFG J. J. B.	7/77	SCALE
SOUTH AVENUE			SIGNATURE DATE	NONE	PART NO.
BURLINGTON, MASS. 01803			REMOVE ALL DIMS AND SHARP EDGES	UNIT	DS20E3054
				WT.	SHEET 2 OF 14 SHEETS



DS20E3054
6

INDICATORS & MESSAGE UNIT INTERFACE

THIS DRAWING CONTAINS INFORMATION PROPRIETARY TO COMPUTERVISION CORPORATION AND IS NOT TO BE USED OR REPRODUCED WITHOUT PERMISSION OF COMPUTERVISION CORPORATION.		TOLERANCES UNLESS OTHERWISE SPECIFIED: DIMENSIONS: .01 ANGLES: .5 HOLE DIA: .005 HOLE POSITION: .010 HOLE RADIUS: .005 HOLE SQUARE: .005		DATE: 1/27/77	
DESIGNED BY: <i>W. J. ...</i>	CHECKED BY: <i>...</i>	DATE: 1/27/77	SCALE: NONE	SEE SHT. 1	
PART NUMBER: SEE SHT. 1		PROJECT: 1001	SCALE: NONE	TITLE: SCHEMATIC DIAGRAM LOGIC BOARD	
COMPUTERVISION CORP. SOUTH AVENUE BURLINGTON, MASS. 01803		DATE: 1/27/77	SCALE: NONE	PART NO. DS20E3054	
REMOVE ALL BURRS AND SHARP EDGES		DATE: 1/27/77	SCALE: NONE	SHEET 3 OF 14	

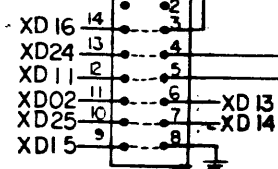


PRELOAD WITH 18 TO GET 19 PULSES

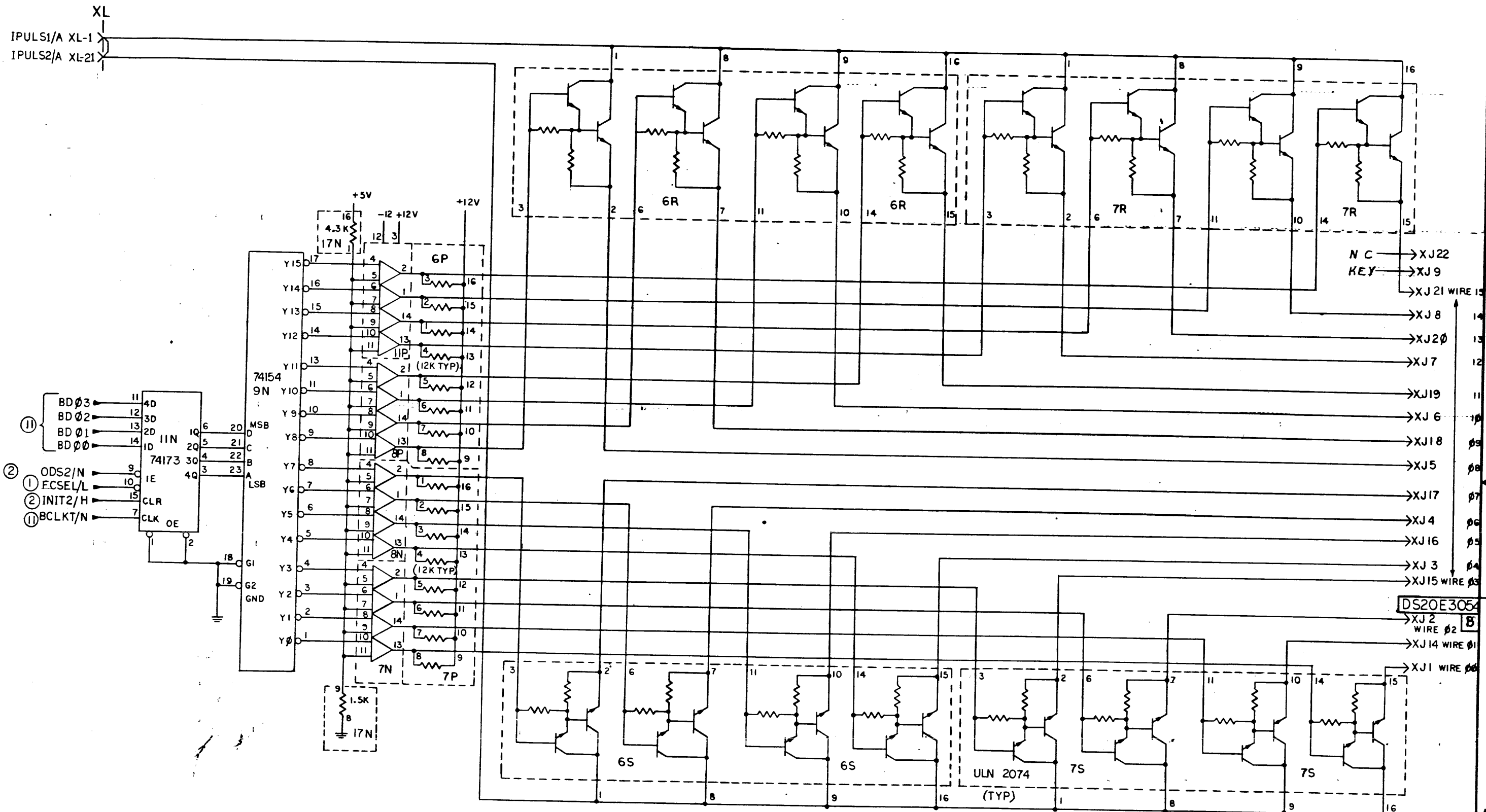
IOS TRANSMIT

DATA TURNAROUND CIRCUIT FOR TEST USE ONLY

JUMPER STORES AT LOC 18H REMOVE FOR NORMAL OPERATION.

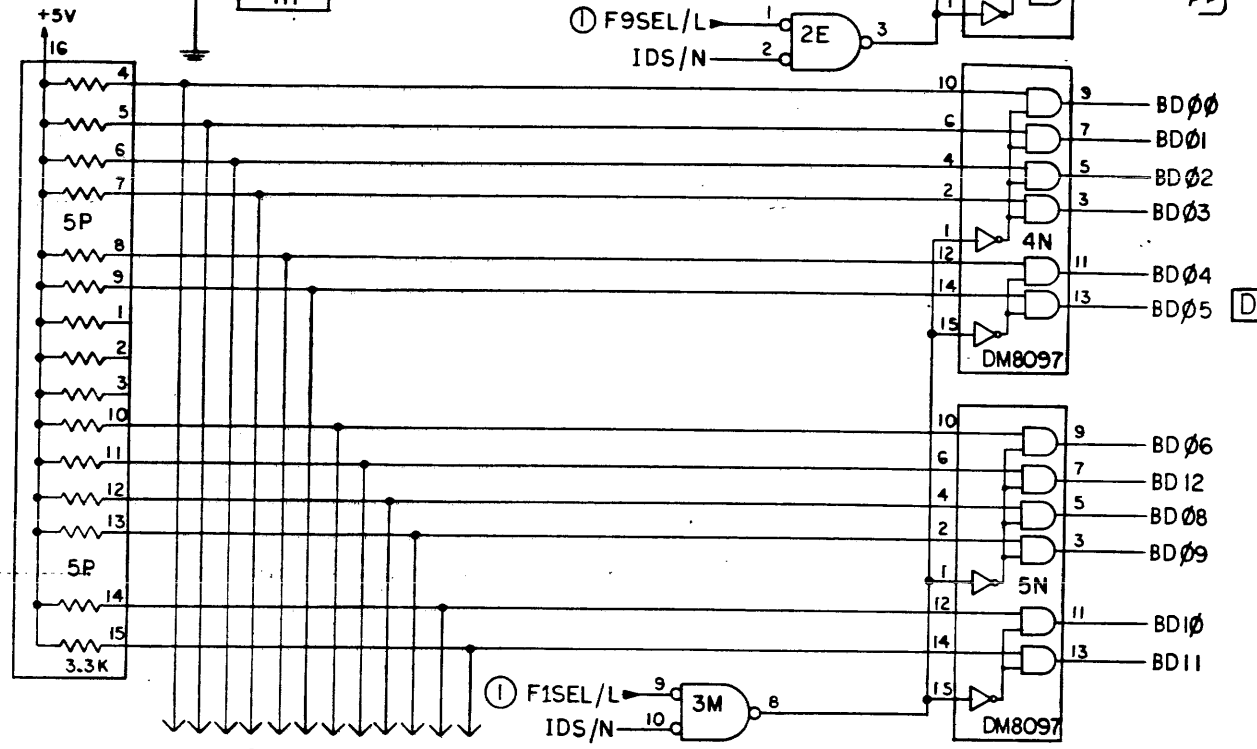
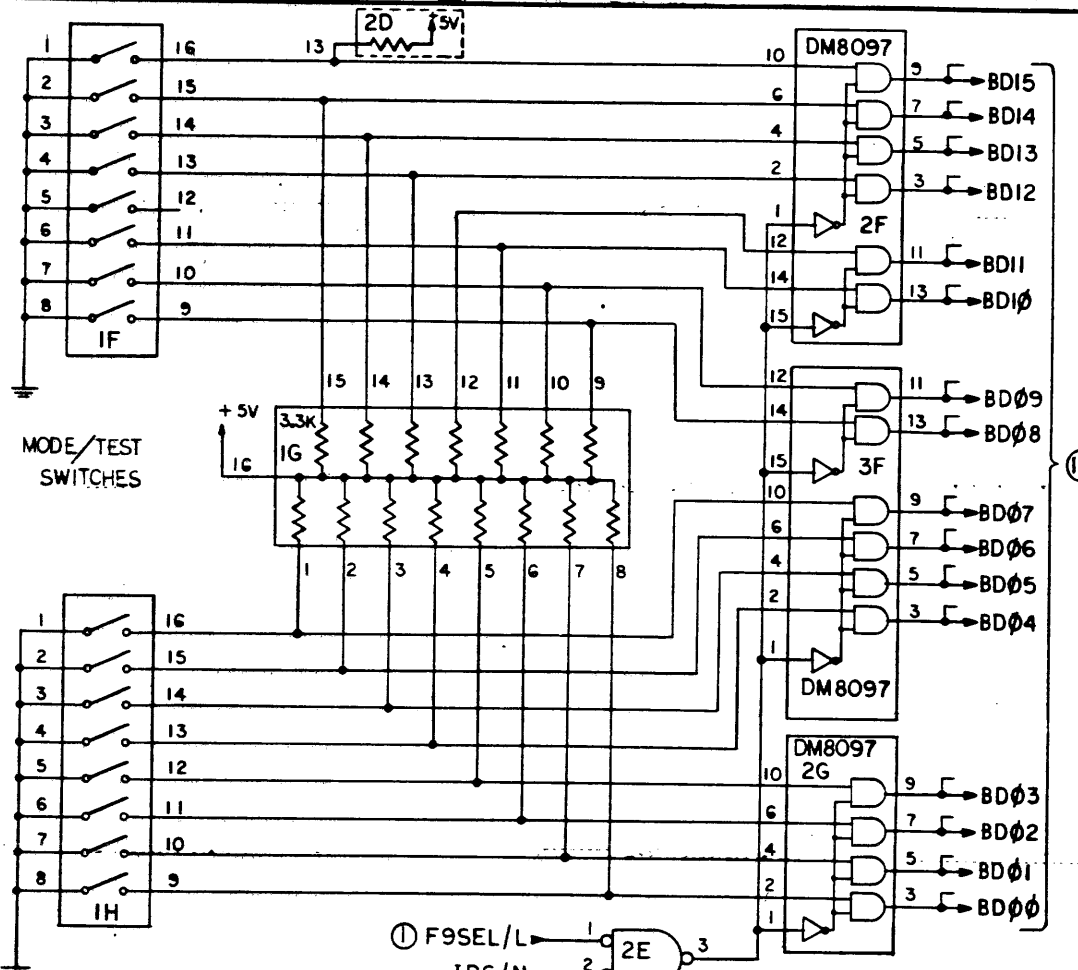
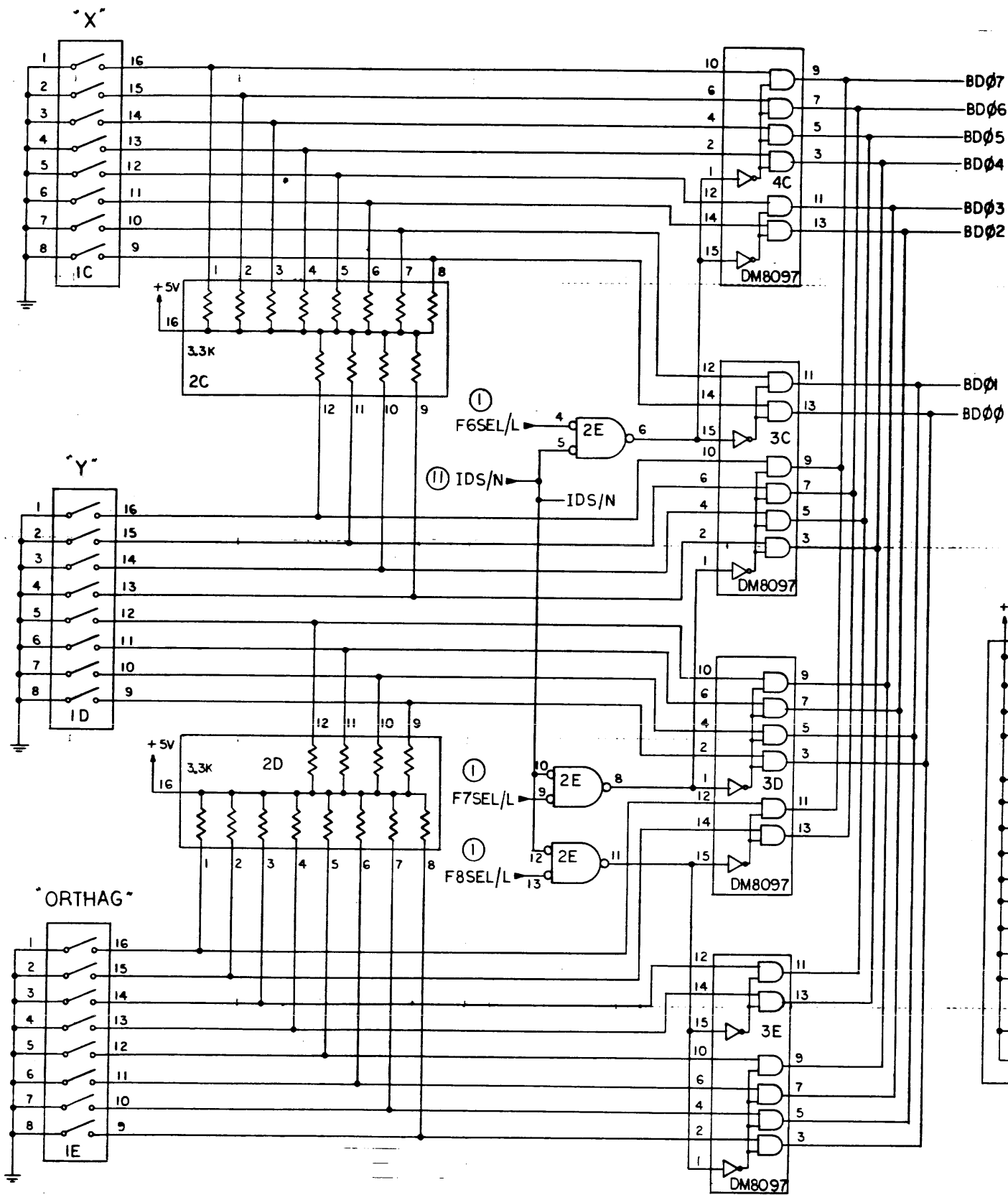


THIS DRAWING CONTAINS INFORMATION PROPRIETARY TO COMPUTERVISION CORPORATION AND IS NOT TO BE USED OR REPRODUCED WITHOUT PERMISSION OF COMPUTERVISION CORPORATION.		TOLERANCES UNLESS OTHERWISE SPECIFIED	
		DECIMAL	
		.XX = ±.01	
		.XXX = ±.005	
		FRACTIONAL = ±.001	
		ANGULAR = ±.000	
DATE: 7/23/77		REV: 1	
CHK: EJM		BY: JTB	
ENGR: EJM		DATE: 7/27/77	
PRG: WJS		DATE: 7/27/77	
MFG: JTB		DATE: 7/27/77	
SIGNATURE: JTB		DATE: 7/27/77	
SCALE: NONE		SHEET NO. DS20E3054	
REMOVE ALL BURRS AND SHARP EDGES		SHEET 4 OF 14 SHEETS	



WIRE SELECT (PART-A)

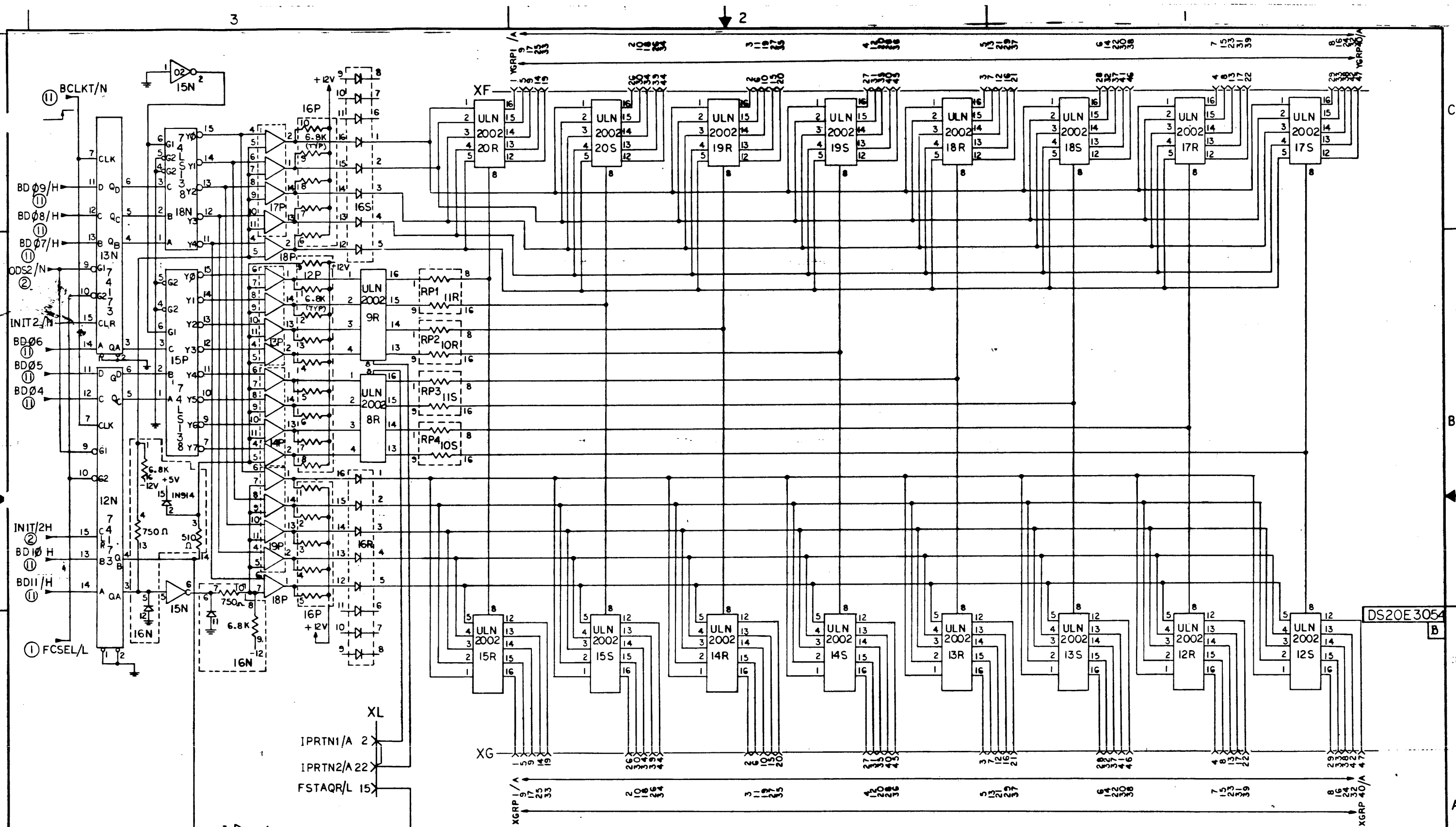
THIS DRAWING CONTAINS INFORMATION PROPRIETARY TO COMPUTERVISION CORPORATION AND IS NOT TO BE USED OR REPRODUCED WITHOUT PERMISSION OF COMPUTERVISION CORPORATION.				TOLERANCES DECIMAL		SEE SHT. 1	
				.XX = ±.01			
				.XXX = ±.005			
				.XXXX = ±.0010			
				FRACTIONAL ±.0005			
				SIMILAR ±.0005			
				BYN <i>T. Gibbon</i> 1/76		SYN	
				CHK <i>[Signature]</i>		TITLE	
				ENGR <i>[Signature]</i> 7/77		SCHEMATIC DIAGRAM	
				PRGR <i>[Signature]</i> 7/77		LOGIC BOARD	
PART NUMBER				NEXT ASSEMBLY		QTY	
SEE SHT. 1							
COMPUTERVISION CORP.				SCALE		NONE	
SOUTH AVENUE				DATE		1/77	
BURLINGTON, MASS. 01803				REMOVE ALL DIMS AND DIMENSIONS		DRAW NO. DS20E3054	
				BY		SHEET 5 of 14	



- XL-5
- XL-6
- XL-7
- XL-25
- XL-26
- XL-8
- XL-27
- XL-33
- TABS1/L
- TABS2/L
- TABS3/L
- TABS4/L
- PUKS1/L
- PUKS2/L
- PUKS3/L
- PUKS4/L
- PUKS5/L
- PENS1/L
- PENS2/L
- PENS3/L
- XJ-13
- XJ-25
- XJ-12
- XJ-24

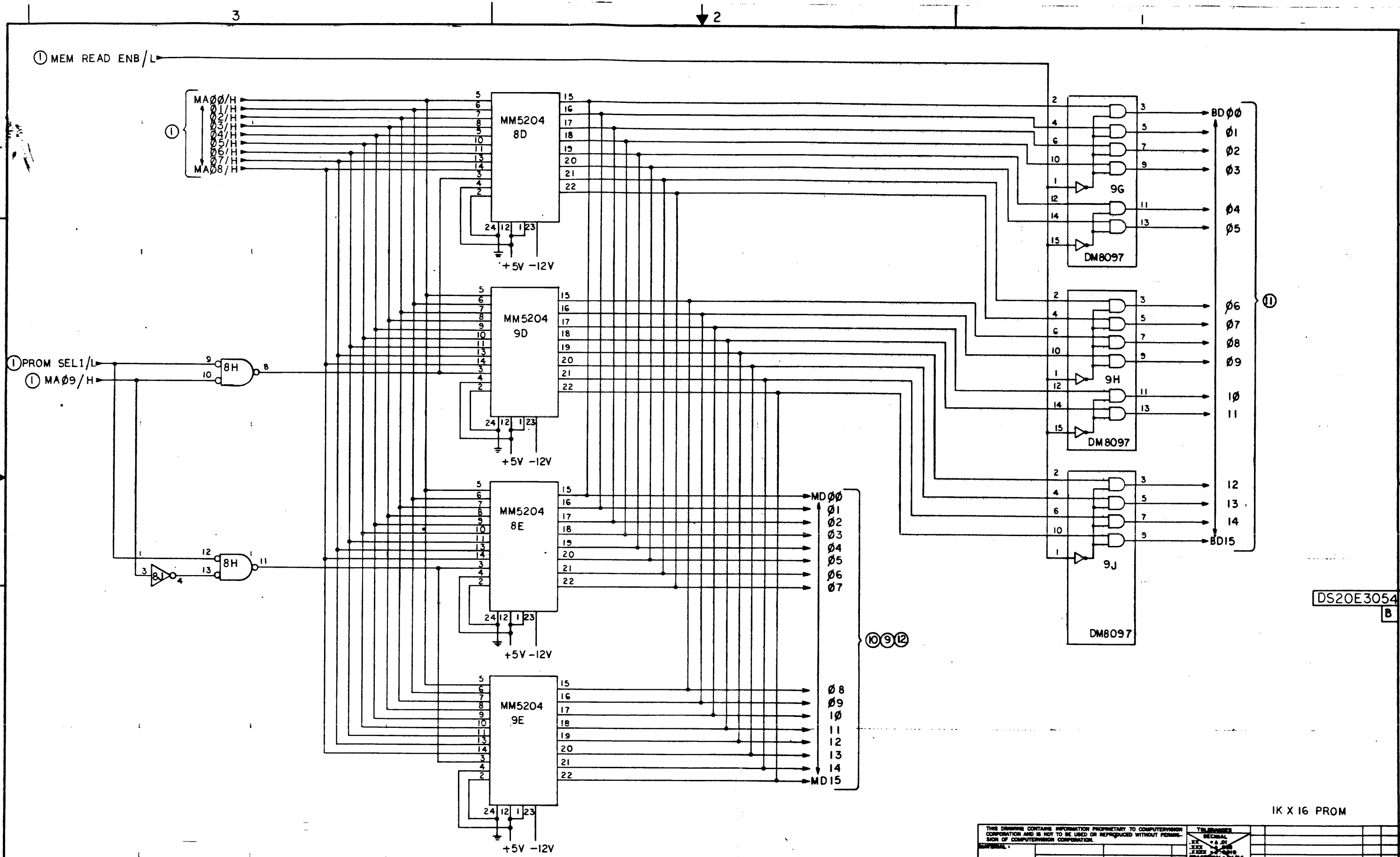
THIS DRAWING CONTAINS INFORMATION PROPRIETARY TO COMPUTERVISION CORPORATION AND IS NOT TO BE USED OR REPRODUCED WITHOUT PERMISSION OF COMPUTERVISION CORPORATION.

TOLERANCES UNLESS OTHERWISE SPECIFIED		DECIMAL FRACTIONS	
.XX		.01	
.XXX		.005	
.XXXX		.0010	
FRACTIONS		1/16	
ANGULAR		.0004	
HOLE		+.0004	
DIMS		SEE SHT. 1	
CHK	DATE	SYN	REVISION DESCRIPTION
ENGR	DATE	TITLE	SCHEMATIC DIAGRAM LOGIC BOARD
PROJ	DATE	PART NUMBER	SEE SHT. 1
APP	DATE	NEXT ASSEMBLY	
COMPUTERVISION CORP.		SCALE NONE	
SOUTH AVENUE		DWG NO. DS20E3054	
BURLINGTON, MASS. 01803		SHEET 6 OF 14 SHEETS	



WIRE SELECT (PART-B)

THIS DRAWING CONTAINS INFORMATION PROPRIETARY TO COMPUTERVISION CORPORATION AND IS NOT TO BE USED OR REPRODUCED WITHOUT PERMISSION OF COMPUTERVISION CORPORATION.		TELEMARKETER SERIAL .XX +A .XX .XXX +B .XXX .XXXX +C .XXXX FRACTIONAL - P.P.P.P.P .XXXXXXXX + P.P.P.P.P	SEE SHT 1 REVISION DESCRIPTION APPD DATE
PART NUMBER NEXT ASSEMBLY QTY	SEE SHT. 1 SEE SHT. 1 SEE SHT. 1	TITLE SCHEMATIC DIAGRAM LOGIC BOARD	SCALE NONE SHEET 7 of 14 SHEETS
COMPUTERVISION CORP. SOUTH AVENUE BURLINGTON, MASS. 01803		PART NO. DS20E3054	DRAWN BY DATE



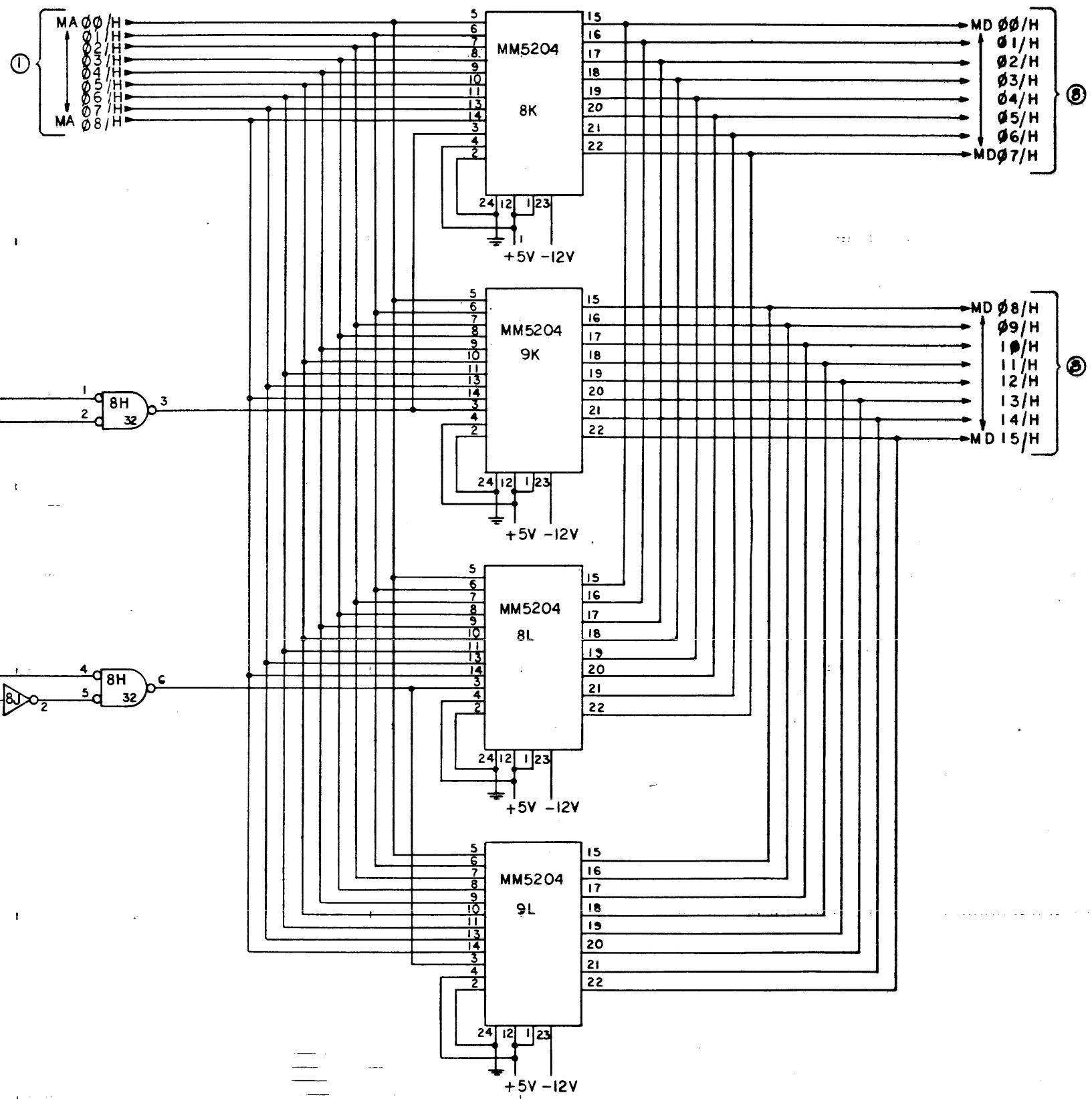
DS20E3054

1K X 16 PROM

<small>THIS DRAWING CONTAINS INFORMATION PROPRIETARY TO COMPUTERVISION CORPORATION AND IS NOT TO BE USED OR REPRODUCED WITHOUT PERMISSION OF COMPUTERVISION CORPORATION.</small>			
<small>DATE:</small> <small>REV:</small> <small>APP:</small>	<small>DESIGNED BY:</small> <small>CHKD BY:</small> <small>APP'D BY:</small>	<small>REVISION:</small> <small>DESCRIPTION:</small> <small>DATE:</small>	<small>APPROVED:</small> <small>DATE:</small>
<small>PART NUMBER:</small> SEE SHT. 1		<small>TITLE:</small> SCHEMATIC DIAGRAM LOGIC BOARD	
<small>COMPUTERVISION CORP.</small> <small>SOUTH AVENUE</small> <small>BURLINGTON, MASS. 01803</small>		<small>SCALE:</small> NONE <small>FIG. NO.:</small> DS20E3054 <small>SHEET:</small> 8 of 14	

3

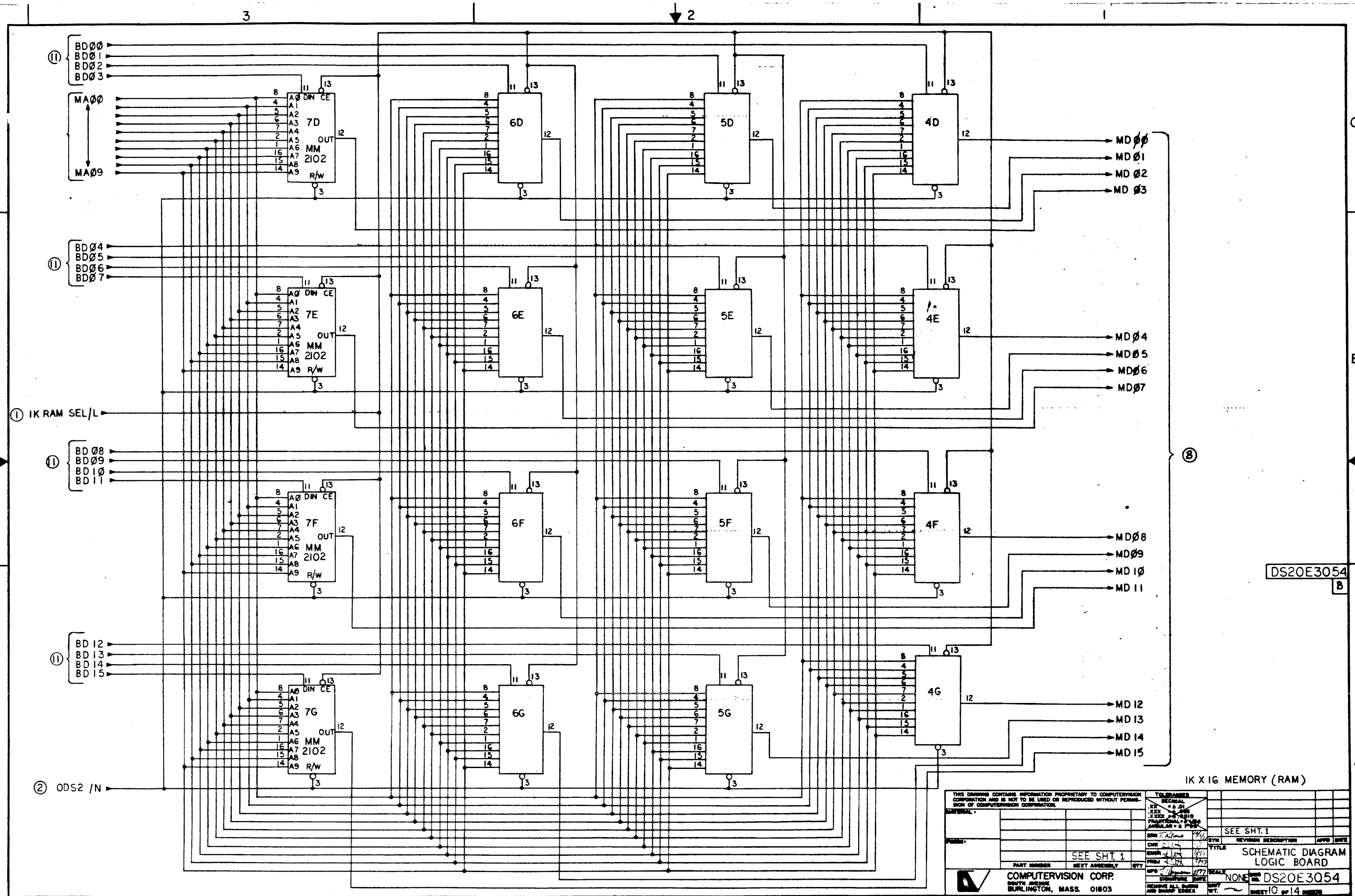
2

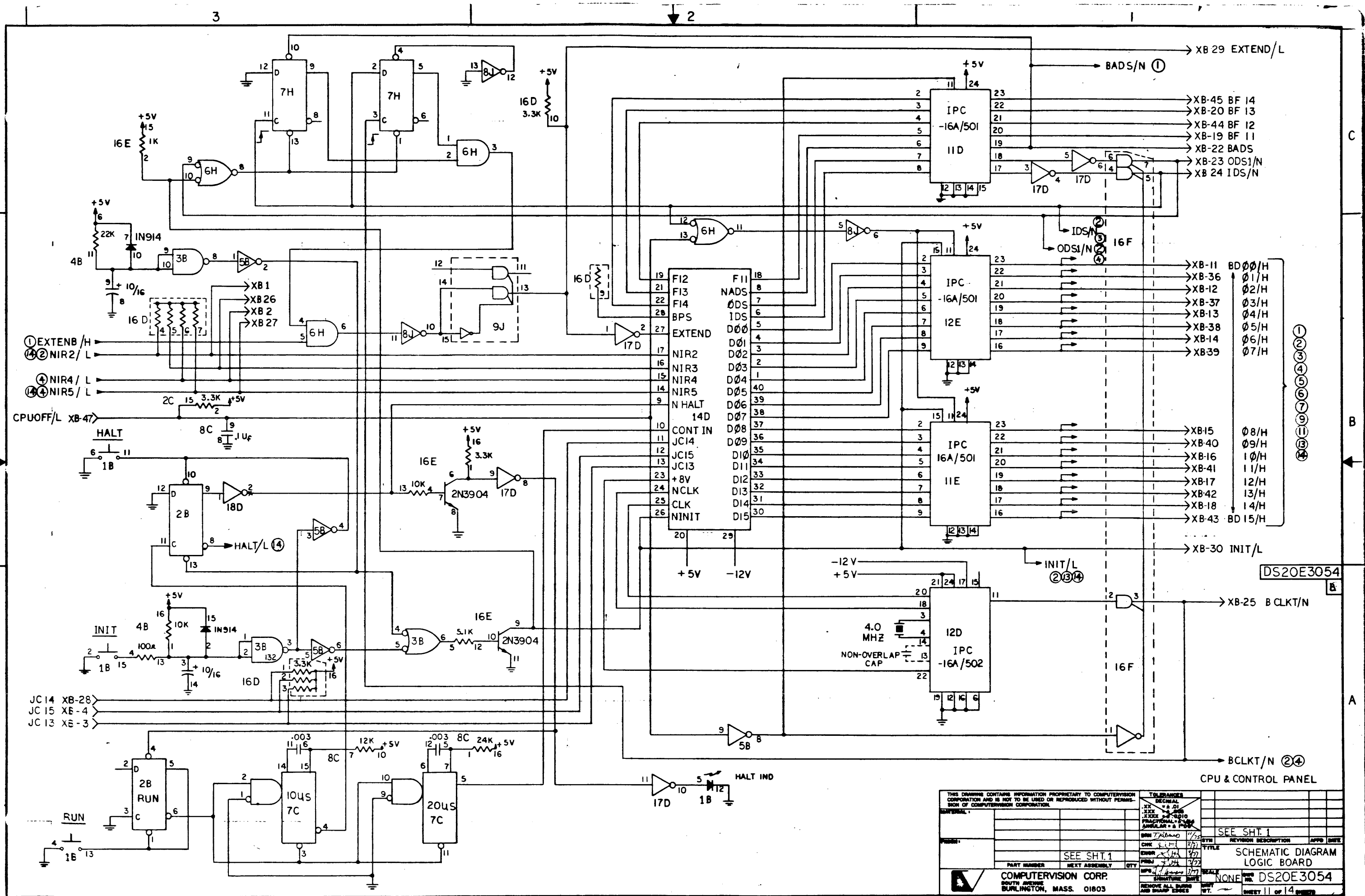


DS20E3054
B

1K X 16 PROM

THIS DRAWING CONTAINS INFORMATION PROPRIETARY TO COMPUTERVISION CORPORATION AND IS NOT TO BE USED OR REPRODUCED WITHOUT PERMISSION OF COMPUTERVISION CORPORATION.		TO: DECA		DATE: 1/2/77	
DRAWN: J. J. J.		CHKD: J. J. J.		APPD: J. J. J.	
PART NUMBER: SEE SHT. 1		NEXT ASSEMBLY: QTY:		TITLE: SCHEMATIC DIAGRAM LOGIC BOARD	
COMPUTERVISION CORP.		SOUTH AVENUE BURLINGTON, MASS. 01803		PART NO. DS20E3054	
REMOVED ALL BURRS AND SHARP EDGES		SCALE: NONE		SHEET 9 OF 14	

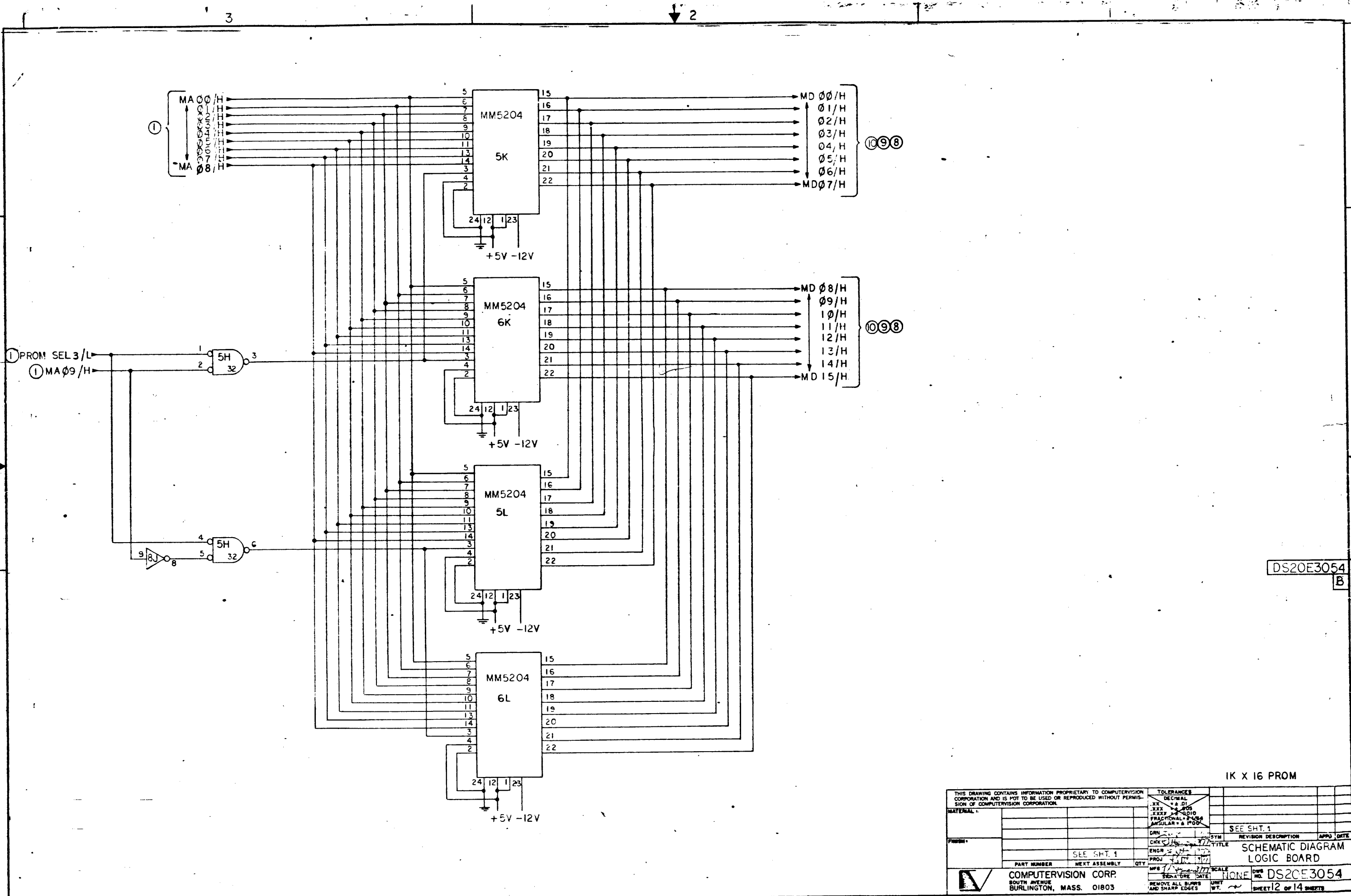




TOLERANCES UNLESS OTHERWISE SPECIFIED		REVISION DESCRIPTION	
DECIMAL	FRACTIONAL	REV.	DATE
.XX	±.01	1	11/75
.XXX	±.005	2	3/77
.XXXX	±.001	3	3/77
FRACTIONAL	±.001	4	3/77
ANGLES	±.001		

DESIGNED BY	CHKD BY	APP'D BY	DATE
SEE SHT. 1	SEE SHT. 1	SEE SHT. 1	3/77
PART NUMBER	NEXT ASSEMBLY	QTY	
COMPUTERVISION CORP.			
SOUTH AVENUE			
BURLINGTON, MASS. 01803			

THIS DRAWING CONTAINS INFORMATION PROPRIETARY TO COMPUTERVISION CORPORATION AND IS NOT TO BE USED OR REPRODUCED WITHOUT PERMISSION OF COMPUTERVISION CORPORATION.		SEE SHT. 1	
TITLE		SCHEMATIC DIAGRAM	
PART NUMBER		DS20E3054	
NEXT ASSEMBLY		NONE	
QTY		1	
DRAWN BY		DATE	
3/77		3/77	
CHECKED BY		DATE	
3/77		3/77	
APPROVED BY		DATE	
3/77		3/77	
REWORK ALL DIMENSIONS AND SHARP EDGES		SHEET 11 OF 14	

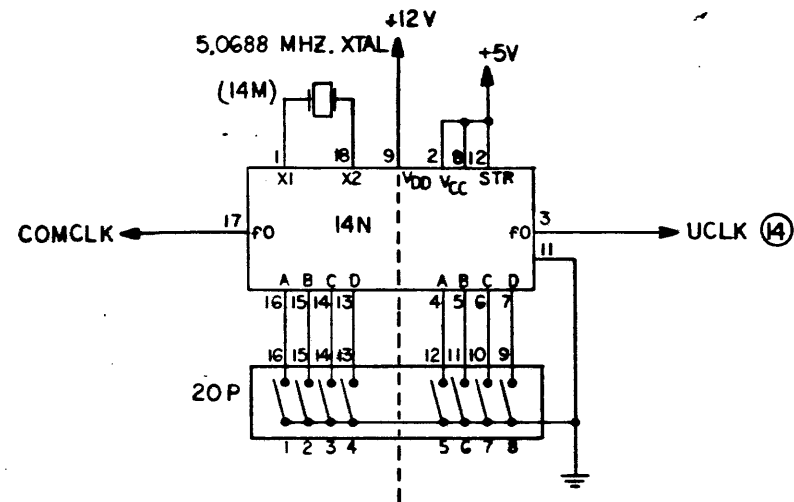


DS20E3054
B

1K X 16 PROM

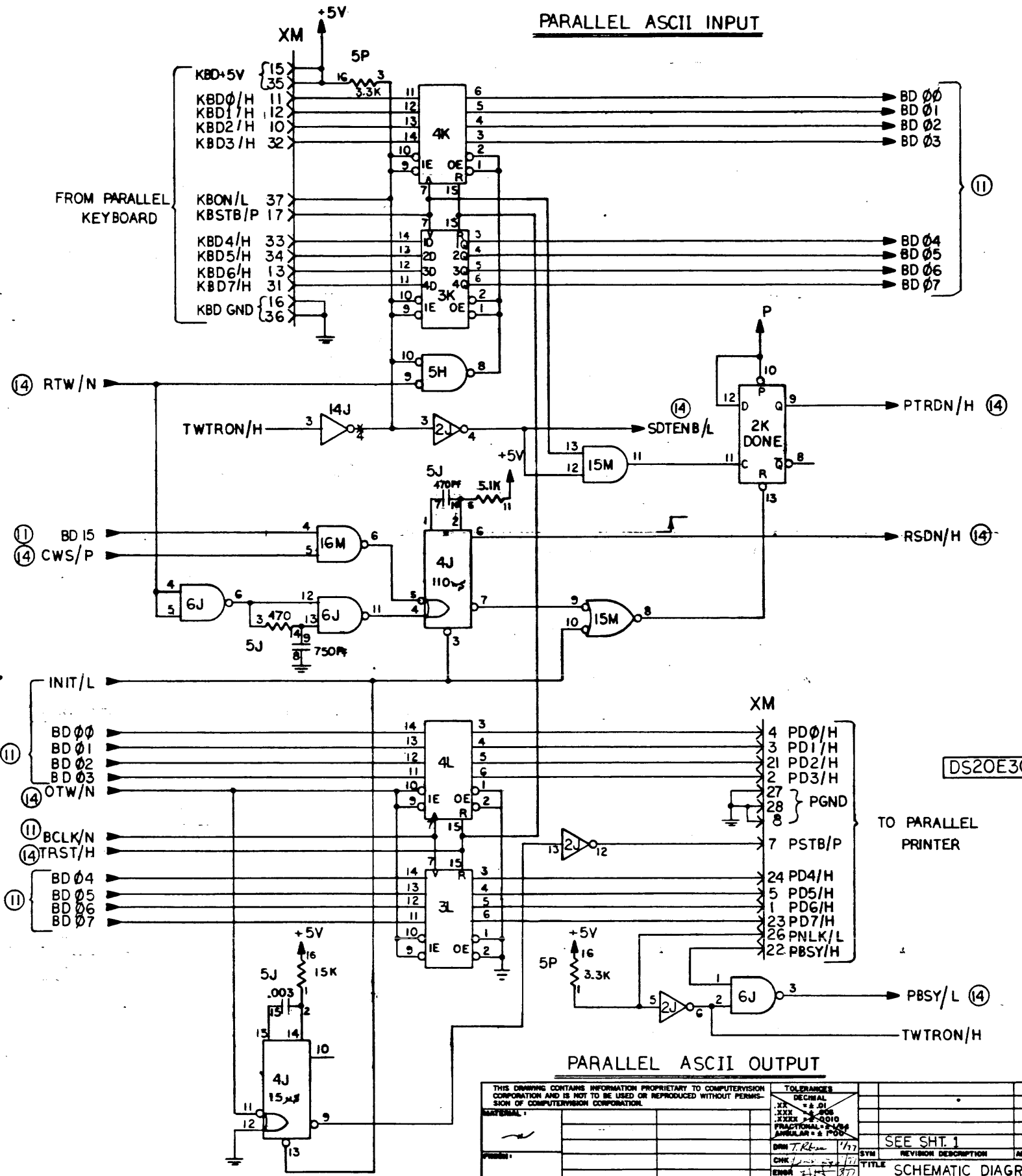
THIS DRAWING CONTAINS INFORMATION PROPRIETARY TO COMPUTERVISION CORPORATION AND IS NOT TO BE USED OR REPRODUCED WITHOUT PERMISSION OF COMPUTERVISION CORPORATION.				TOLERANCES DECIMAL .XX ± .01 .XXX ± .005 .XXXX ± .0010 FRACTIONAL ANGULAR ± .008			
MATERIAL				DRN	SYM	REV	DATE
FRSH				ENGR	DATE	TITLE	SCALE
PART NUMBER	NEXT ASSEMBLY	QTY	WFS	DATE	SCALE	DWG NO.	UNIT
	SEE SHT. 1					DS20E3054	
COMPUTERVISION CORP. SOUTH AVENUE BURLINGTON, MASS. 01803				REMOVE ALL BURRS AND SHARP EDGES		SHEET 12 OF 14 SHEETS	

PROGRAMMABLE
BAUD RATE
GENERATOR
(PBRG)



◻ = SW "ON"

A	B	C	D	BAUD RATE	16 X CLOCK FREQ. KHZ
•	•	•	•	50	0.8
•	•	•	•	75	1.2
•	•	•	•	110	1.76
•	•	•	•	134.5	2.1523
•	•	•	•	150	2.4
•	•	•	•	300	4.8
•	•	•	•	600	9.6
•	•	•	•	1200	19.2
•	•	•	•	1800	28.8
•	•	•	•	2000	32.081
•	•	•	•	2400	38.4
•	•	•	•	3600	57.6
•	•	•	•	4800	76.8
•	•	•	•	7200	115.2
•	•	•	•	9600	153.6
•	•	•	•	19,200	316.8



THIS DRAWING CONTAINS INFORMATION PROPRIETARY TO COMPUTERVISION CORPORATION AND IS NOT TO BE USED OR REPRODUCED WITHOUT PERMISSION OF COMPUTERVISION CORPORATION.

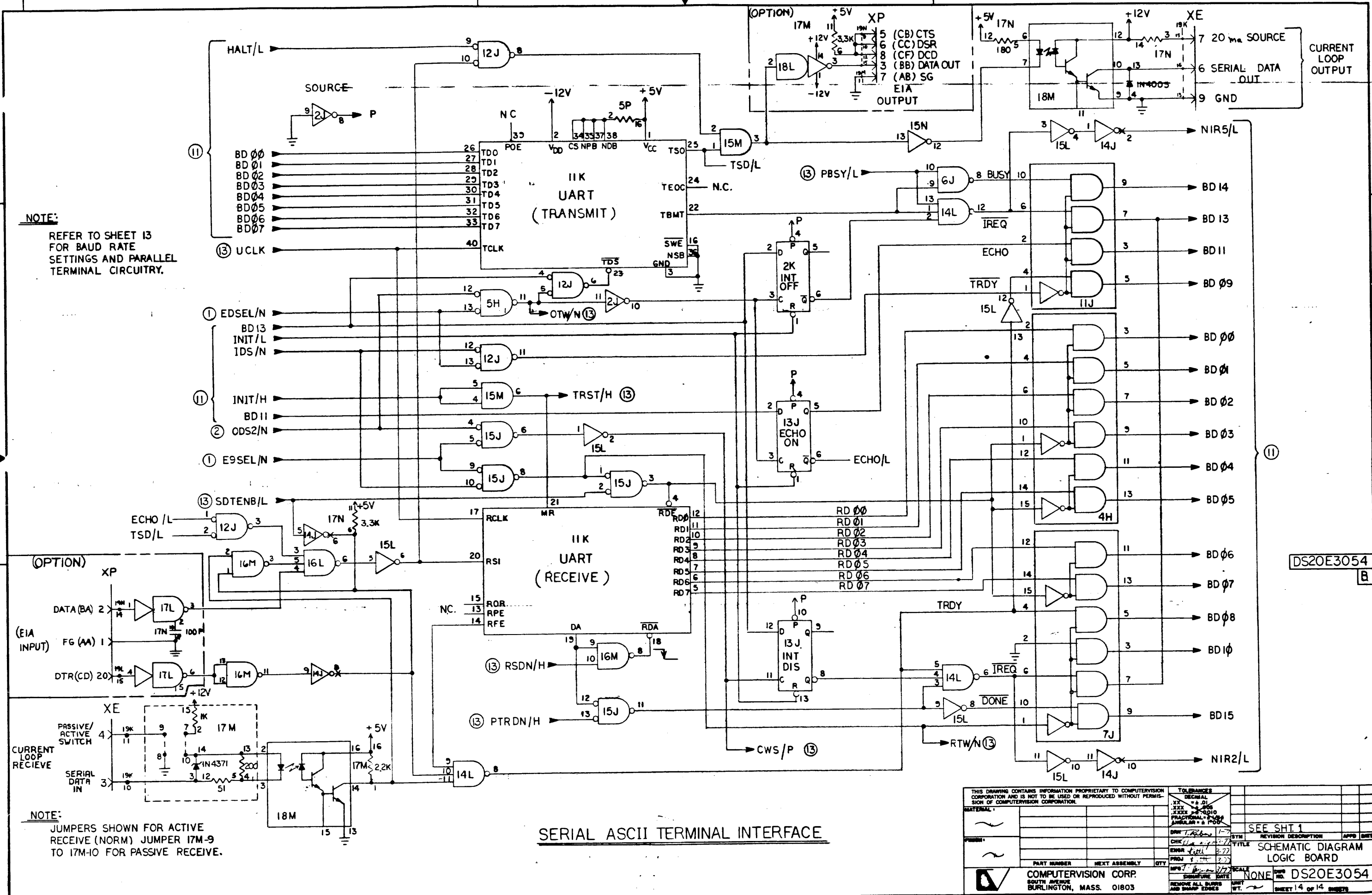
TOLERANCES
DECIMAL
XXX ± .25
XXX ± .500
FRACTIONAL 2/64
ANGULAR ± .004

DWG. T. R. Brown 1/77
CHK. J. M. S. 1/77
ENGR. J. M. S. 1/77
PRJ. J. M. S. 1/77

SCALE NONE
REMOVE ALL DIMS AND SHARP EDGES
SHEET 13 OF 14 SHEETS

SEE SHT. 1
TITLE SCHEMATIC DIAGRAM LOGIC BOARD
PART NUMBER NEXT ASSEMBLY QTY
COMPUTERVISION CORP.
SOUTH AVENUE
BURLINGTON, MASS. 01803
DATE 1/77
APP'D DATE

DS20E3054



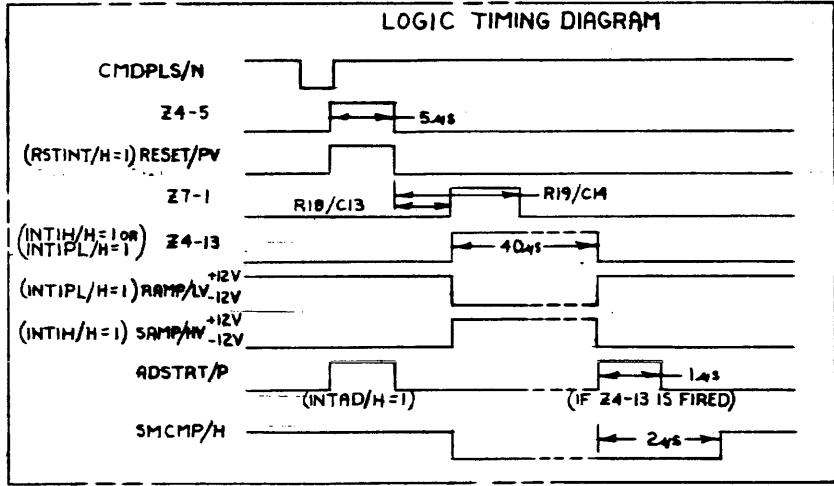
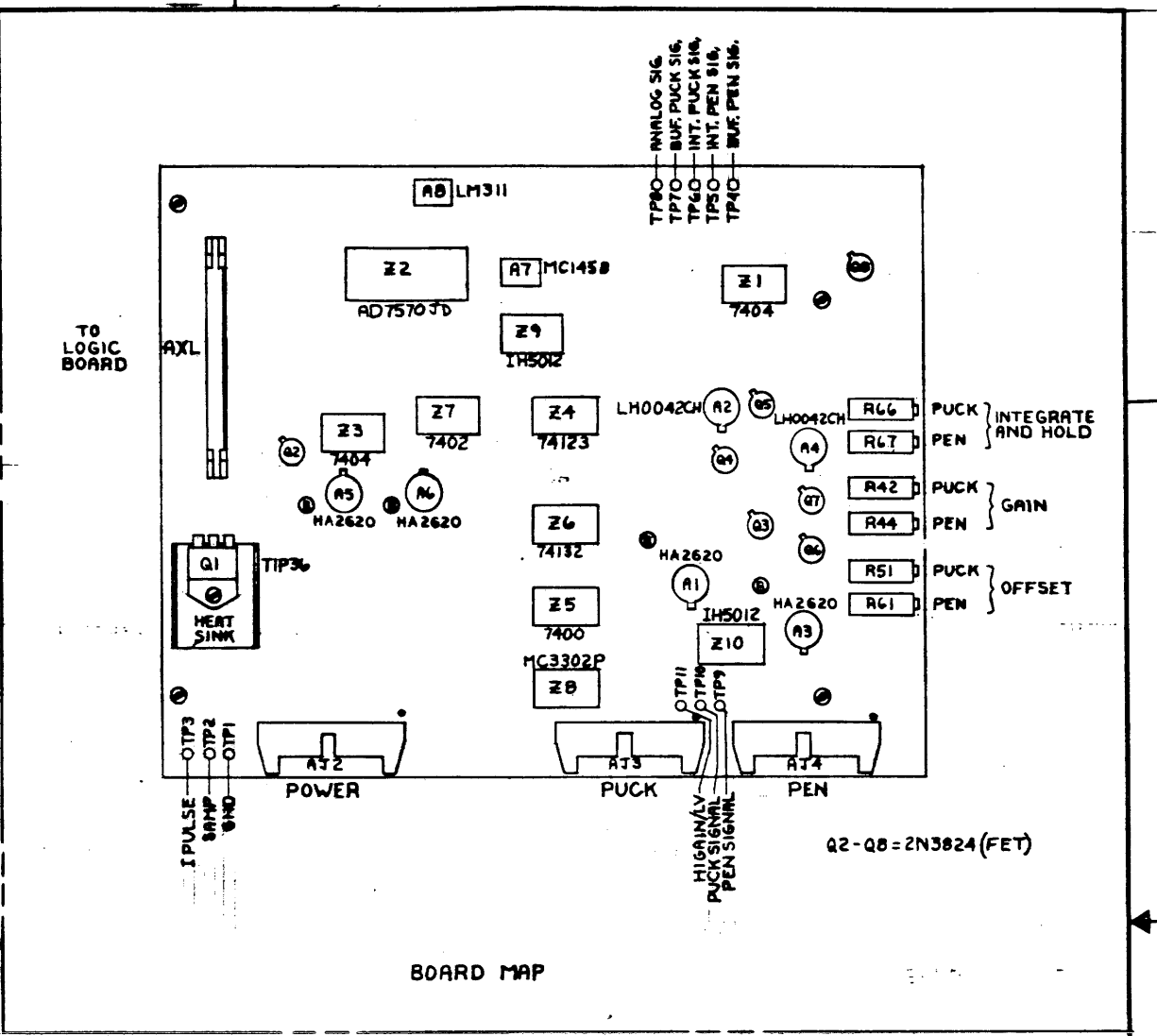
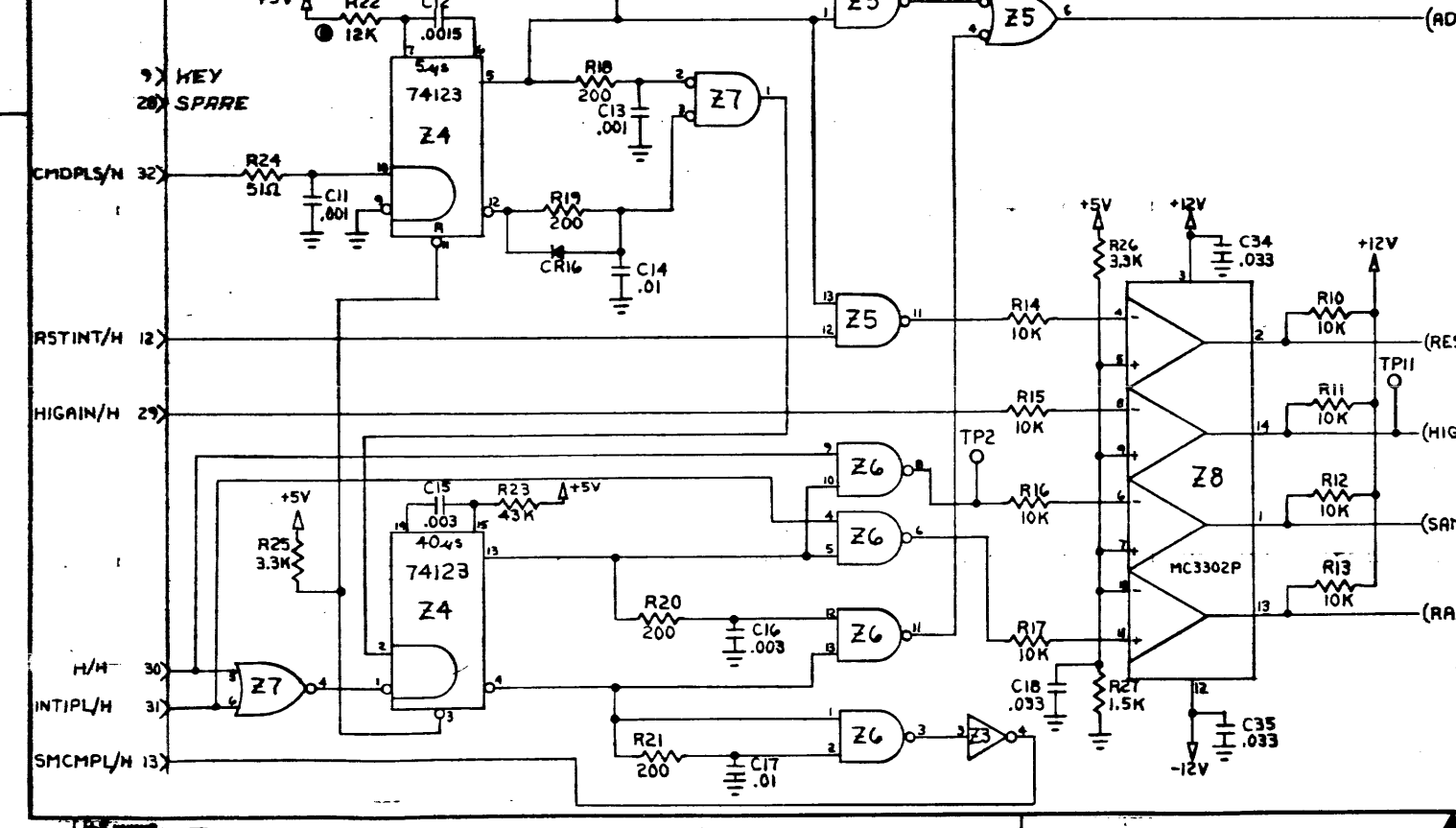
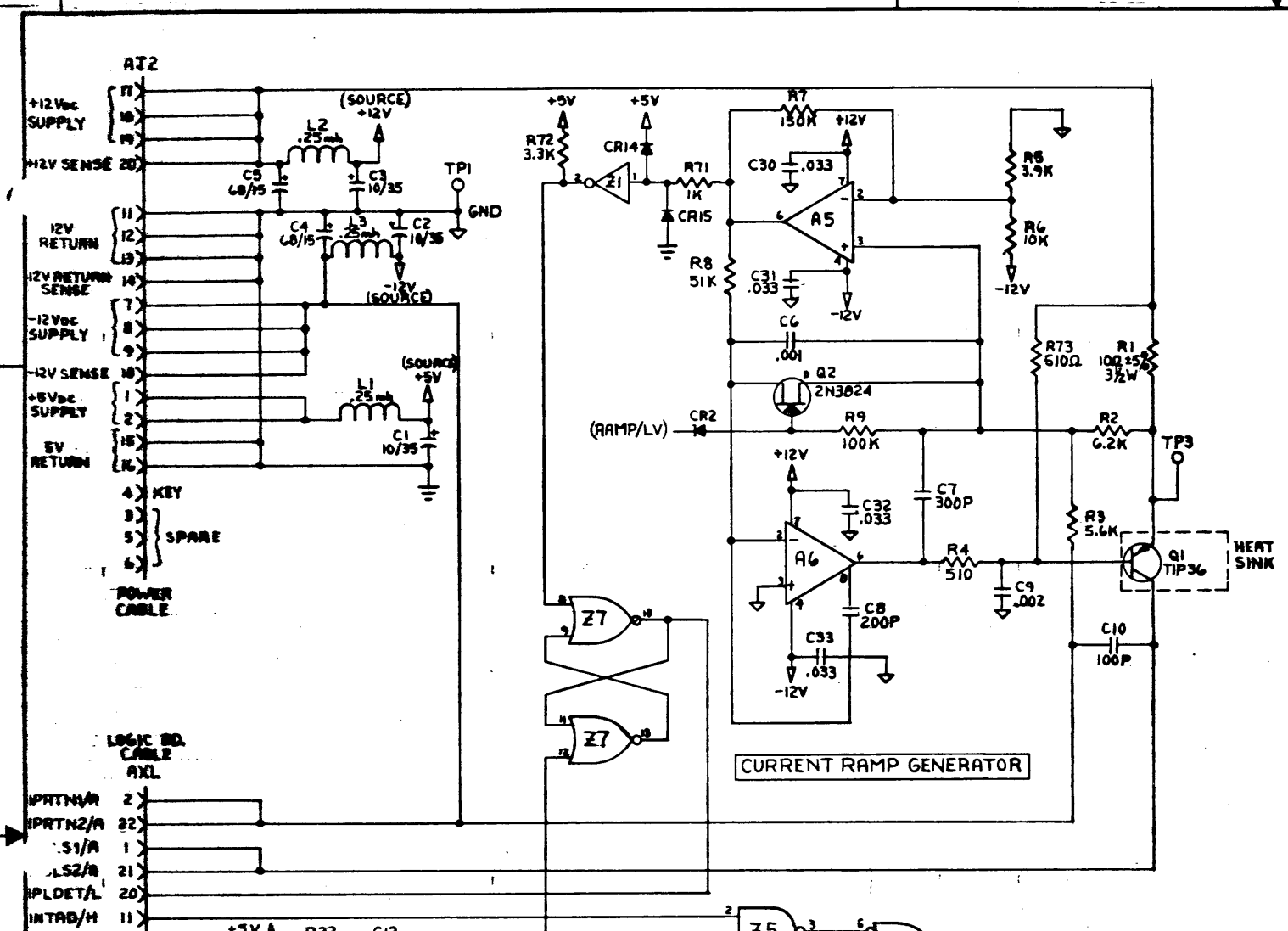
NOTE:
REFER TO SHEET 13
FOR BAUD RATE
SETTINGS AND PARALLEL
TERMINAL CIRCUITRY.

NOTE:
JUMPERS SHOWN FOR ACTIVE
RECEIVE (NORM) JUMPER 17M-9
TO 17M-10 FOR PASSIVE RECEIVE.

SERIAL ASCII TERMINAL INTERFACE

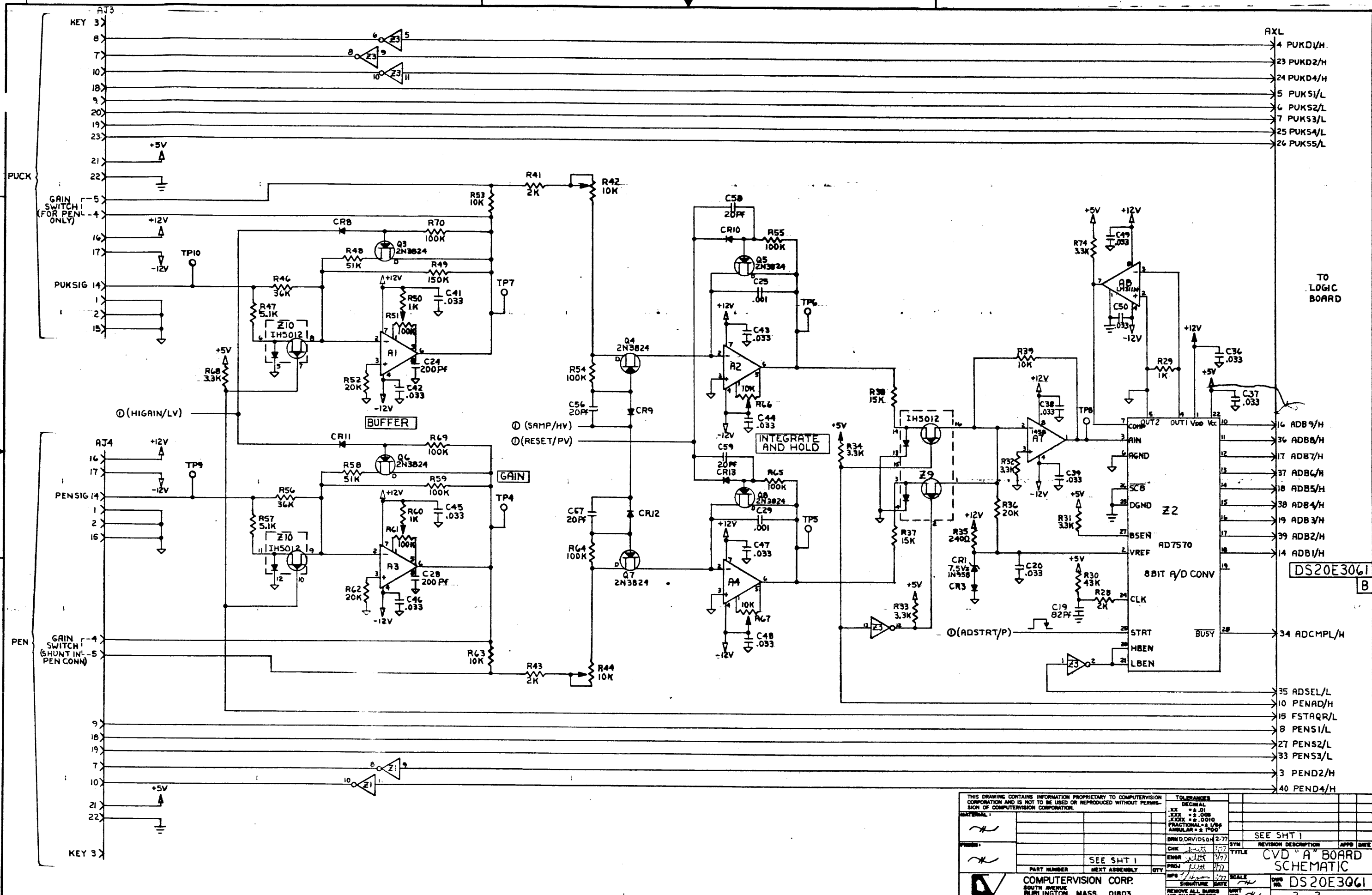
DS20E3054
B

THIS DRAWING CONTAINS INFORMATION PROPRIETARY TO COMPUTERVERSION CORPORATION AND IS NOT TO BE USED OR REPRODUCED WITHOUT PERMISSION OF COMPUTERVERSION CORPORATION.		TOLERANCES DECIMAL XXX ± .015 XXX ± .010 FRACTIONAL ± .005 ANGULAR ± .004	
MATERIAL:		DATE: 1/27/77	BY: [Signature]
DESIGNED BY:		DATE: 1/27/77	BY: [Signature]
PROJECT:		DATE: 1/27/77	BY: [Signature]
PART NUMBER:	NEXT ASSEMBLY:	QTY:	
COMPUTERVERSION CORP. SOUTH AVENUE BURLINGTON, MASS. 01803		SCALE: NONE	DWG NO. DS20E3054
REMOVED ALL BURRS AND SHARP EDGES		APPROVED BY: [Signature]	SHEET 14 OF 14 SHEETS

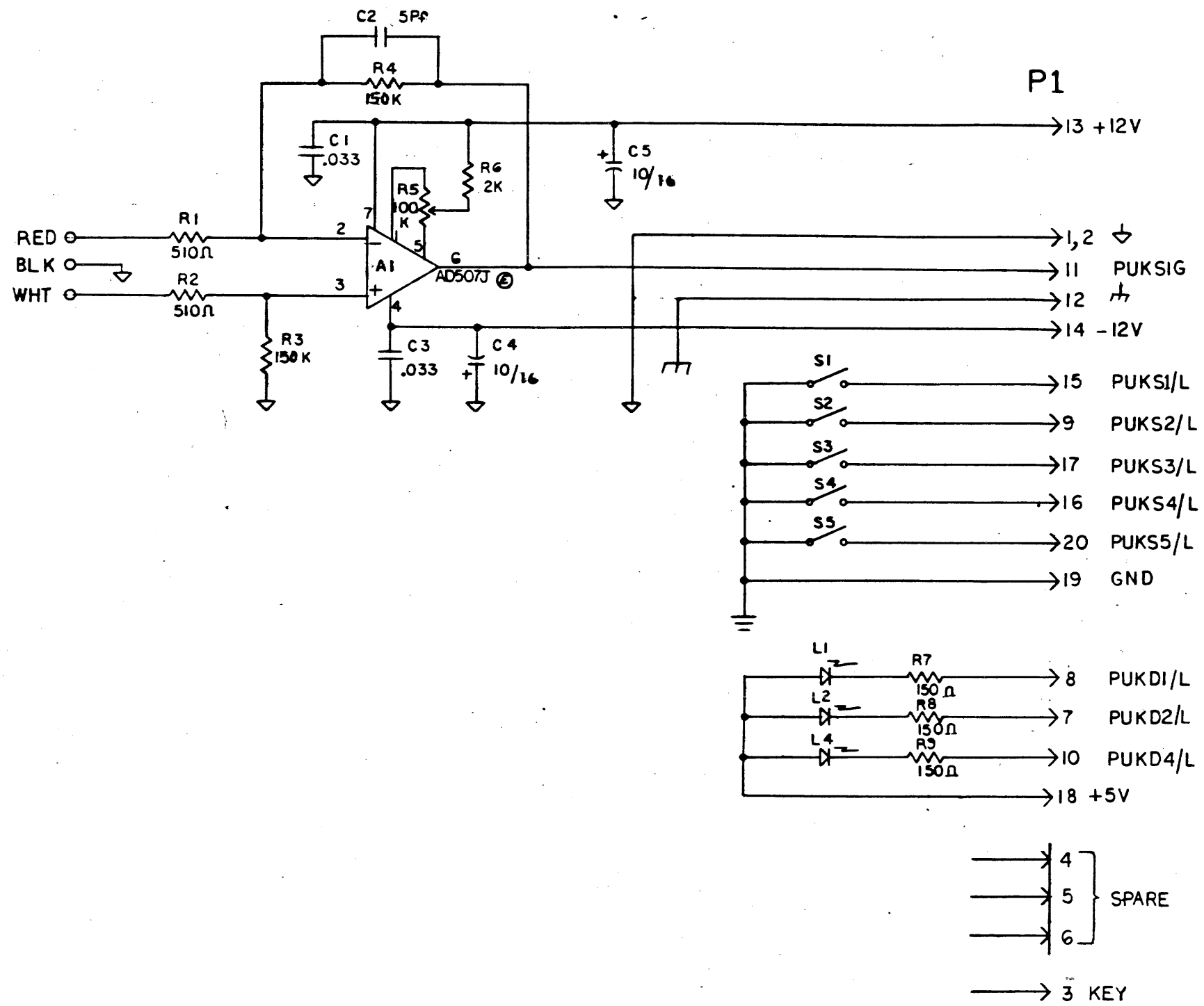


NOTES:
 1. C51 thru C55 ARE .033 DECOUPLING CAPACITORS FOR THE 5 LOGIC I.C.'S (NOT SHOWN ON SCHEMATIC).
 2. ALL 2N3824 FET'S - CONNECT CASE TO DRAIN.
 3. HIGHEST COMPONENT NUMBERS: C59, R74, CR16, Q8.

THIS DRAWING CONTAINS INFORMATION PROPRIETARY TO COMPUTERVISION CORPORATION AND IS NOT TO BE USED OR REPRODUCED WITHOUT PERMISSON OF COMPUTERVISION CORPORATION.		TOLERANCES DECIMAL XX = ±.25 XXX = ±.050 FRACTIONAL = ± 1/100 ANGULAR = ± 1°00'	
DATE	BY	CHK	APP'D
2-77	D.A. DAVIDSON	2-77	2-77
PART NUMBER	NEXT ASSEMBLY	QTY	REV
L20X3007	DA20E3060	1	3-77
COMPUTERVISION CORP. SOUTH AVENUE BURLINGTON, MASS. 01803		SCALE	NONE
DRAWN BY		DATE	2-77
SIGNATURE		DATE	2-77
REMOVE ALL BURRS AND SHARP EDGES		UNIT	WT.
SHEET 1 OF 2 SHEETS		REV A = REV 2	



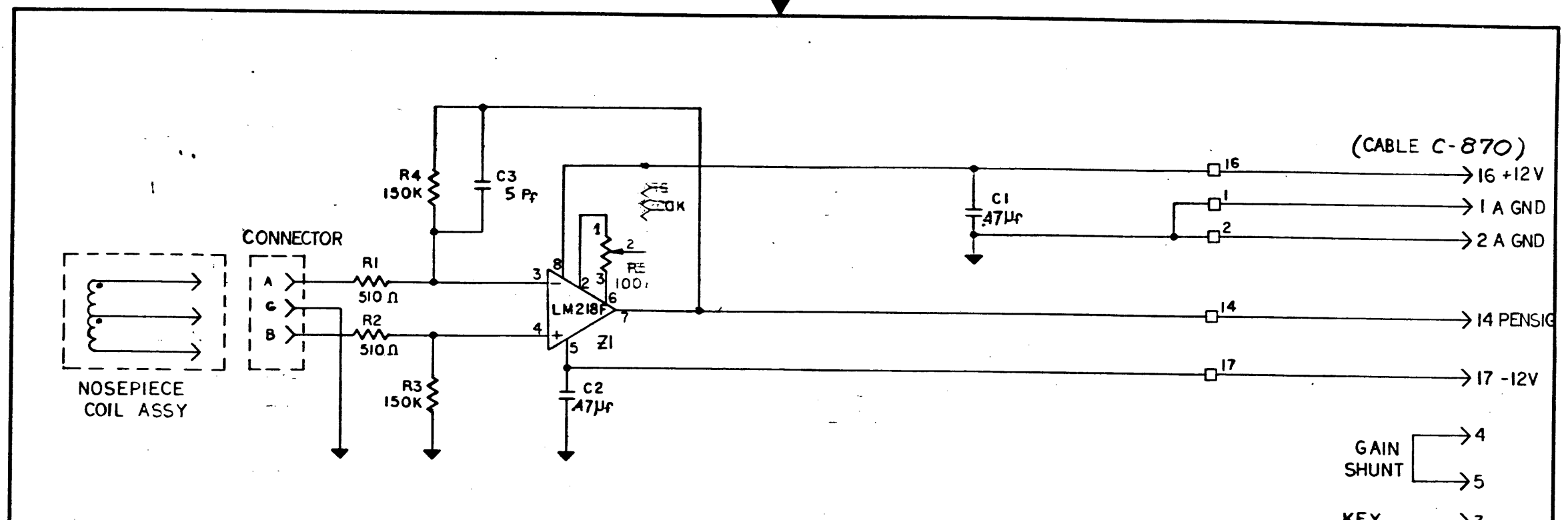
THIS DRAWING CONTAINS INFORMATION PROPRIETARY TO COMPUTERVISION CORPORATION AND IS NOT TO BE USED OR REPRODUCED WITHOUT PERMISSION OF COMPUTERVISION CORPORATION.		TOLERANCES DECIMAL .XX = ±.01 .XXX = ±.005 FRACTIONAL = ±1/100 ANGULAR = ±1°00'	
DATE: 3/77	CHK: [Signature]	SYN: [Signature]	REV: [Signature]
ENG: [Signature]	PROJ: [Signature]	SEE SHT 1	
PART NUMBER: SEE SHT 1	NEXT ASSEMBLY: [Blank]	CVD 'A' BOARD SCHEMATIC	
COMPUTERVISION CORP. SOUTH AVENUE BURLINGTON, MASS. 01803	SCALE: [Blank]	DS20E3061	
REMOVE ALL BURRS AND SHARP EDGES		SHEET 2 OF 2 SHEETS	



CS20E2068

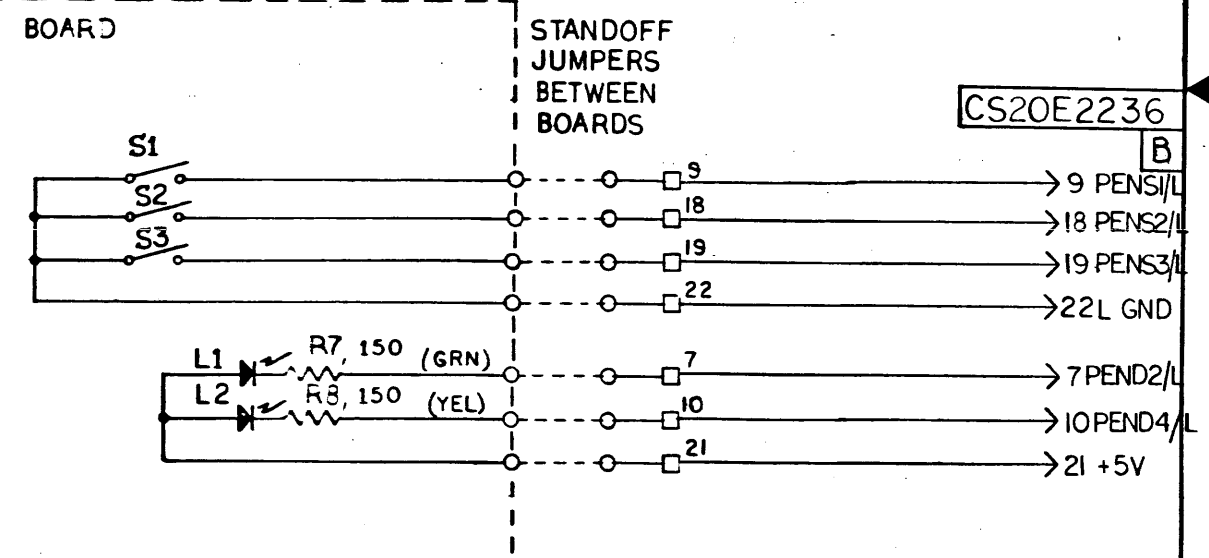
E

THIS DRAWING CONTAINS INFORMATION PROPRIETARY TO COMPUTERVISION CORPORATION AND IS NOT TO BE USED OR REPRODUCED WITHOUT PERMISSION OF COMPUTERVISION CORPORATION.			TOLERANCES		D	ECO #2270	-	1/77
			DECIMAL		C	ECO #2156	-	1/76
			.XX = ±.01		B	Release ECO 2065	RED	1/76
			.XXX = ±.005		E	PER ECO #2837		1/76
			.XXXX = ±.0010		SYN REVISION DESCRIPTION			
			FRACTIONAL = ±1/64		TITLE SCHEMATIC DIAGRAM PUCK			
			ANGULAR = ±1°00'		SCALE NONE DWS NO. CS20E2068			
MATERIAL:			DRN T. R. B. W. 1/14	CHK	REMOVE ALL BURRS AND SHARP EDGES			
FINISH:			ENGR R. G. 1/14	DATE	UNIT WT. SHEET 1 OF 1 SHEETS			
PART NUMBER			PROJ. MAN. 1/14					
NEXT ASSEMBLY								
QTY								
COMPUTERVISION CORP.								
301 BURLINGTON RD. (RT. 62)								
BEDFORD, MASS. 01730								



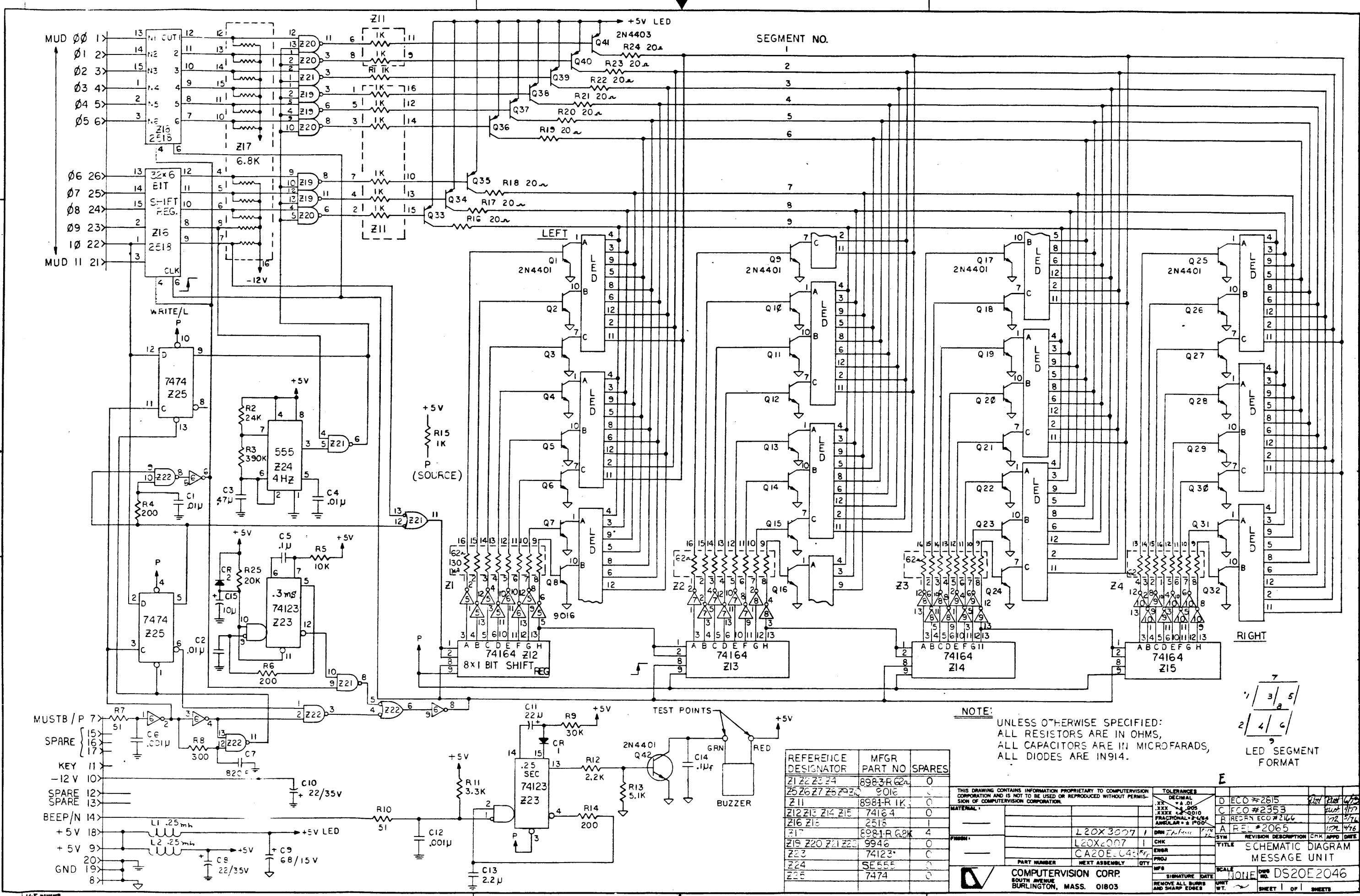
AMPLIFIER BOARD

SWITCH BOARD



NOTES:
 1, PEND4 & PENS3 NOT USED ON "A" VERSION CVD.

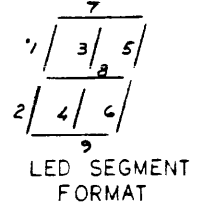
THIS DRAWING CONTAINS INFORMATION PROPRIETARY TO COMPUTERVISION CORPORATION AND IS NOT TO BE USED OR REPRODUCED WITHOUT PERMISSION OF COMPUTERVISION CORPORATION			TOLERANCES		
			DECIMAL		
			.XX ± .01		
			.XXX ± .005		
			.XXXX ± .0010		
			FRACTIONAL ± .0004		
			ANGULAR ± 1'00"		
MATERIAL:		A20R3004	1		B ECO #2425
		L20X3007	1		A REL ECO 2340
DESIGN:		CA20E2235	REF	CHK	SYN
		CA20E2240	REF	ENGR	APPRO
			QTY	PROJ	TITLE
COMPUTERVISION CORP.			SCALE		NONE
201 BURLINGTON RD. (RT. 62)			SIGNATURE DATE		
BEDFORD, MASS. 01730			REMOVE ALL BURRS AND SHARP EDGES		UNIT WT.
			SHEET		OF SHEETS



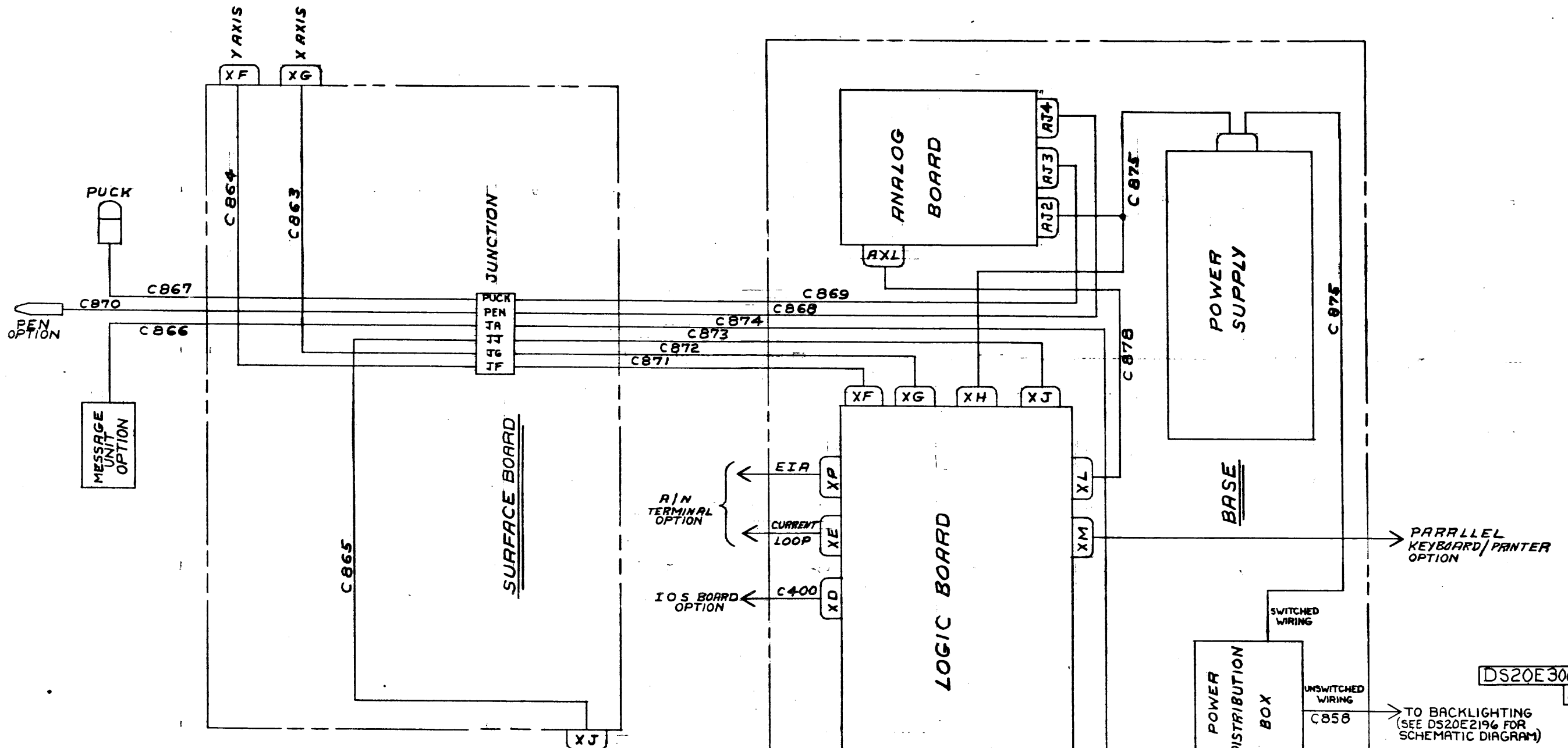
SEGMENT NO.

REFERENCE DESIGNATOR	MFR	PART NO	SPARES
Z1 Z2 Z3 Z4	8981-R	1K	0
Z5 Z6 Z7 Z8 Z9 Z0	9016		0
Z11	8981-R	1K	0
Z12 Z13 Z14 Z15	74164		0
Z16 Z17	2515		1
Z17	8981-R	62K	4
Z19 Z20 Z21 Z22	9946		0
Z23	74123		0
Z24	SE555		0
Z25	7474		0

NOTE: UNLESS OTHERWISE SPECIFIED: ALL RESISTORS ARE IN OHMS, ALL CAPACITORS ARE IN MICROFARADS, ALL DIODES ARE IN914.



THIS DRAWING CONTAINS INFORMATION PROPRIETARY TO COMPUTERVISION CORPORATION AND IS NOT TO BE USED OR REPRODUCED WITHOUT PERMISSION OF COMPUTERVISION CORPORATION.		TOLERANCES	
MATERIAL:		DECIMAL	0 ECO #2615
FINISH:		XXX #.01	C FCO #2353
PART NUMBER		FRAC. #.005	R RECDN ECO #2166
NEXT ASSEMBLY		ANGULAR #.004	A REL #2065
QTY		ANGULAR #.002	SYN REVISION DESCRIPTION
COMPUTERVISION CORP.		SCALE	TITLE SCHEMATIC DIAGRAM
SOUTH AVENUE		REMOVE ALL BURRS AND SHARP EDGES	MESSAGE UNIT
BURLINGTON, MASS. 01803		DRN DATE	DRN NO. DS20E2046
		WRT	SHEET 1 OF 1 SHEETS



CABLE	ASSY	PAGE	CABLE	ASSY	PAGE
C 863	CA20E3063	2	C 872	CA20E3072	2
C 864	CA20E3064	2	C 873	CA20E3073	2
C 865	CA20E3065	2	C 874	CA20E3074	2
C 866	CA20E3066	2	C 875	DA20E3075	3
C 867	DA20E3067	3	C 737	A20E2137	2
C 868	CA20E3068	3	C 400	CA14E1001	4
C 869	CA20E3069	3	TO EIA		4
C 870	DA20E3070	3	TO CURRENT LOOP		4
C 871	CA20E3071	2	TO KEYBOARD/PRINTER		4

BUS EXT. C 737
FOR MAINTENANCE
DEVELOPMENT PURPOSES
ONLY

THIS DRAWING CONTAINS INFORMATION PROPRIETARY TO COMPUTERVISION CORPORATION AND IS NOT TO BE USED OR REPRODUCED WITHOUT PERMISSION OF COMPUTERVISION CORPORATION.

TOLERANCES	DECIMAL		
.XX	+ .01		
.XXX	+ .005		
.XXXX	+ .0010		
FRACTIONAL	+ .0005		
ANGULAR	+ .000		

ECO #2440	DATE	BY
A REL ECO 2270	DATE	BY
SYN	REVISION DESCRIPTION	APPD
TITLE SYSTEM INTER-CONNECTION DIAGRAM		
PART NUMBER L20X3007		
NEXT ASSEMBLY		
COMPUTERVISION CORP.		
SOUTH AVENUE		
BURLINGTON, MASS. 01803		
SCALE NONE	DATE	BY
REMOVE ALL BURRS AND SHARP EDGES	DATE	BY
SHEET 1 OF 4 SHEETS		

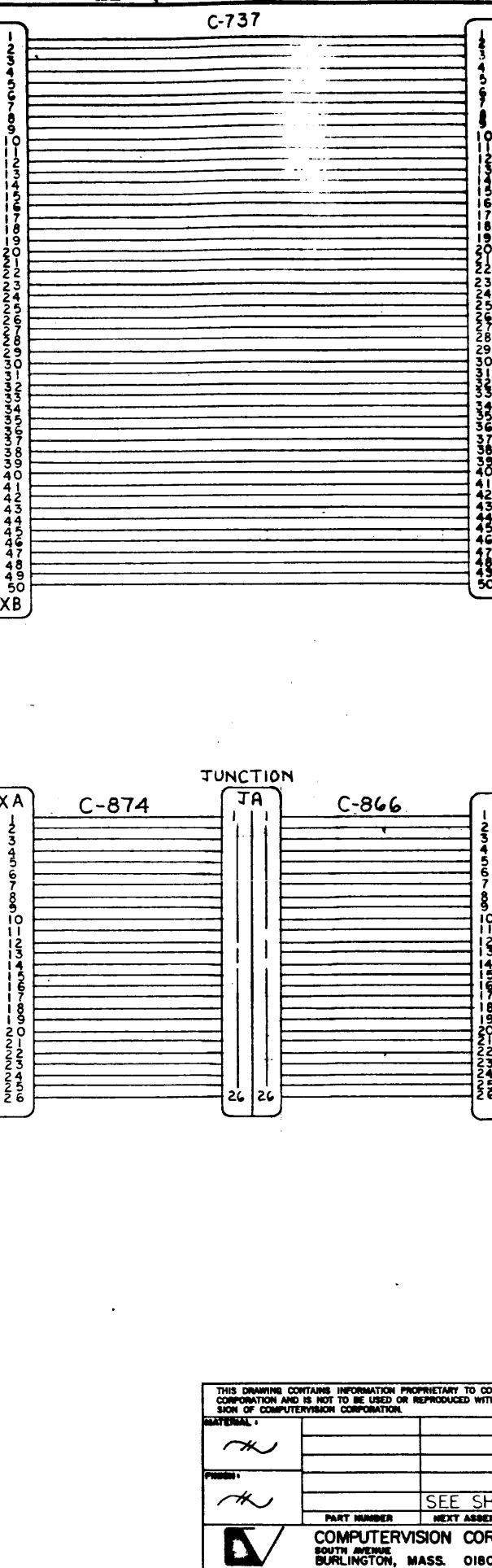
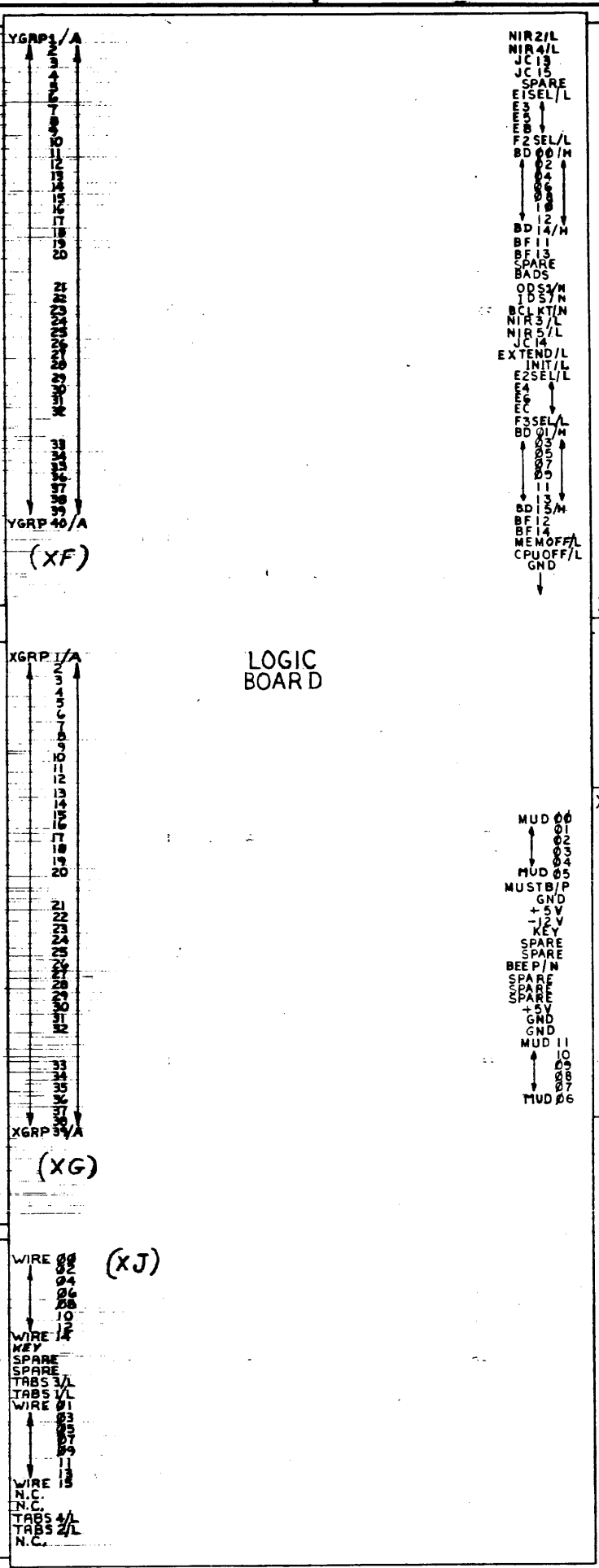
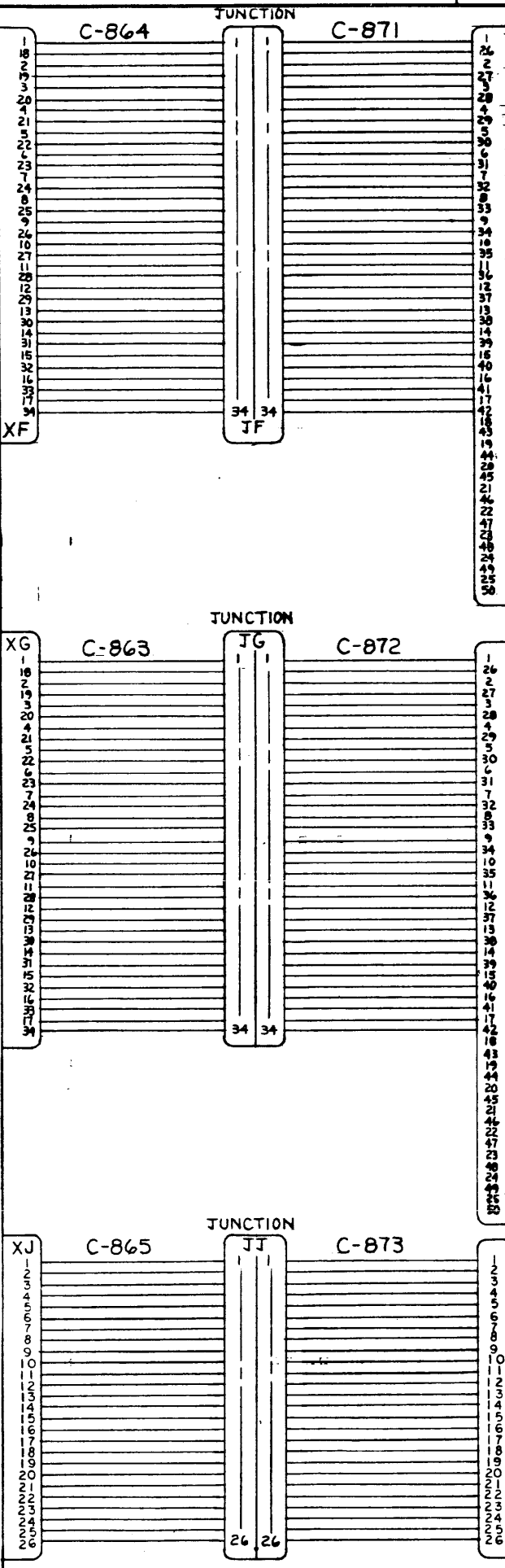
REV A - REV 1

"Y" GROUP SELECT LINES

SURFACE BOARD

"X" GROUP SELECT LINES

WIRE GROUP SELECT LINES

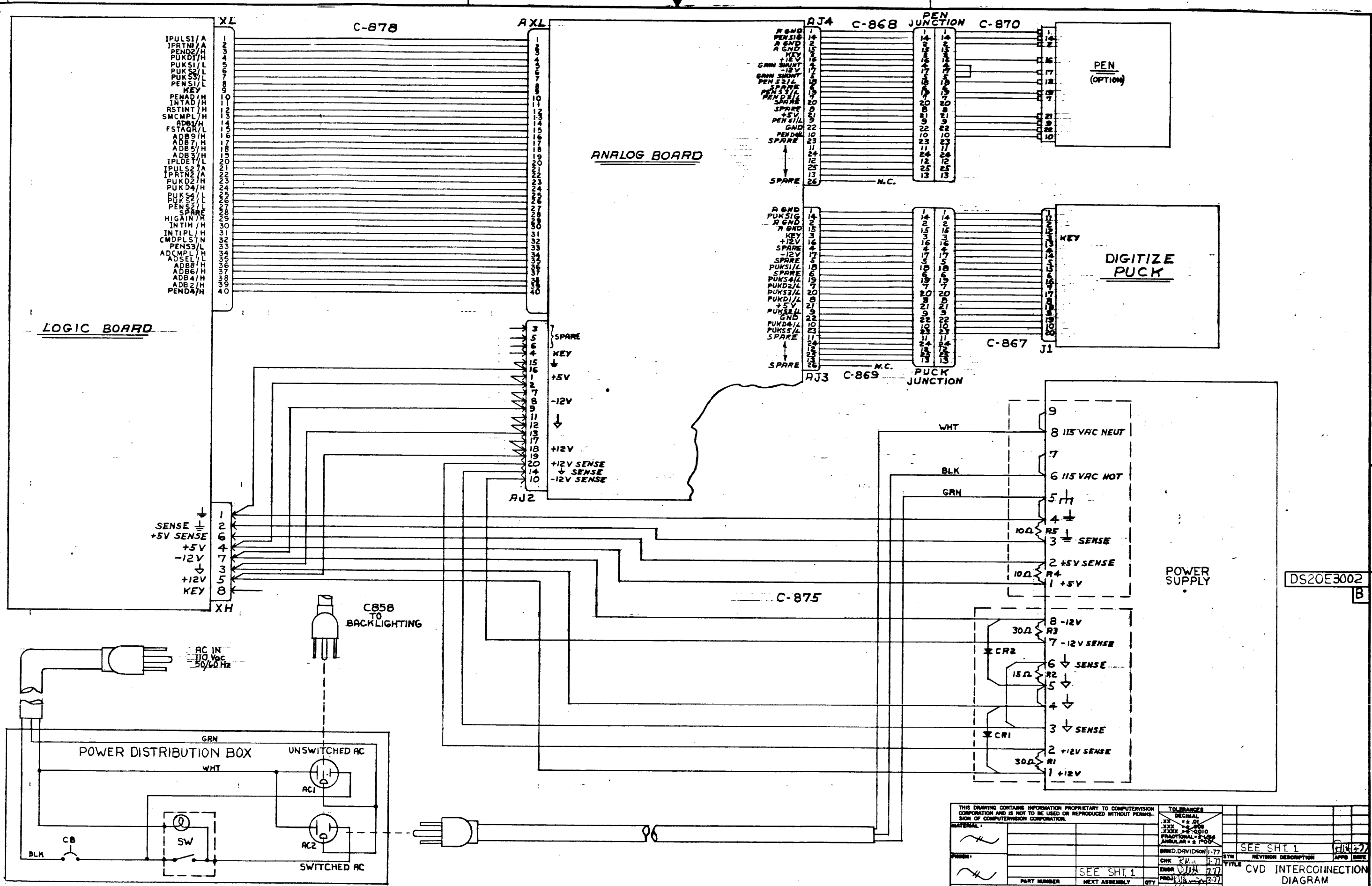


BUS EXT
(FOR MAINTENANCE/
DEVELOPMENT PURPOSES ONLY)

MESSAGE UNIT BOARD (OPTION)

DS20E3002
B

THIS DRAWING CONTAINS INFORMATION PROPRIETARY TO COMPUTERVISION CORPORATION AND IS NOT TO BE USED OR REPRODUCED WITHOUT PERMISSION OF COMPUTERVISION CORPORATION.		TOLERANCES DECIMAL .XX ± .01 .XXX ± .005 FRACTIONAL ± .004 ANGULAR ± .5 DEG		
MATERIAL		DRN D. DAVIDSON	11.77	SEE SHT. 1
PROB		CHK	11.77	
		ENGR	11.77	
		PRJ	11.77	
PART NUMBER	NEXT ASSEMBLY	QTY		
	SEE SHT. 1			
COMPUTERVISION CORP. SOUTH AVENUE BURLINGTON, MASS. 01803		SCALE	NONE	DWG NO. DS20E3002
REMOVE ALL DIMS AND SHARP EDGES		DATE		SHEET 2 OF 4



DS20E3002
B

THIS DRAWING CONTAINS INFORMATION PROPRIETARY TO COMPUTERVISION CORPORATION AND IS NOT TO BE USED OR REPRODUCED WITHOUT PERMISSION OF COMPUTERVISION CORPORATION.

TOLERANCES		
DECIMAL		
.XX	± 0.01	
.XXX	± 0.005	
.XXXX	± 0.0010	
FRACTIONAL ± VOLTAGE	ANGULAR ± ° FOOD	
DRN	BRND, DAVIDSON 77	DATE
CHK	RAH 77	DATE
ENGR	WJA 77	DATE
PROJ	WJA 77	DATE
MFG	WJA 77	DATE
SIGNATURE DATE		
REMOVE ALL BURRS AND SHARP EDGES		
PART NUMBER	NEXT ASSEMBLY	QTY
SEE SHT. 1		
SCALE	NONE	
COMPUTERVISION CORP.	SOUTH AVENUE BURLINGTON, MASS. 01803	
TITLE	CVD INTERCONNECTION DIAGRAM	
PART NUMBER	SEE SHT. 1	
SCALE	NONE	
COMPUTERVISION CORP.	SOUTH AVENUE BURLINGTON, MASS. 01803	
TITLE	CVD INTERCONNECTION DIAGRAM	
SCALE	NONE	
REMOVE ALL BURRS AND SHARP EDGES		
PART NUMBER	SEE SHT. 1	
SCALE	NONE	
COMPUTERVISION CORP.	SOUTH AVENUE BURLINGTON, MASS. 01803	
TITLE	CVD INTERCONNECTION DIAGRAM	
SCALE	NONE	
REMOVE ALL BURRS AND SHARP EDGES		

SEE SHT. 1

SCALE NONE

COMPUTERVISION CORP.
SOUTH AVENUE
BURLINGTON, MASS. 01803

TITLE CVD INTERCONNECTION DIAGRAM

SCALE NONE

REMOVE ALL BURRS AND SHARP EDGES

PART NUMBER SEE SHT. 1

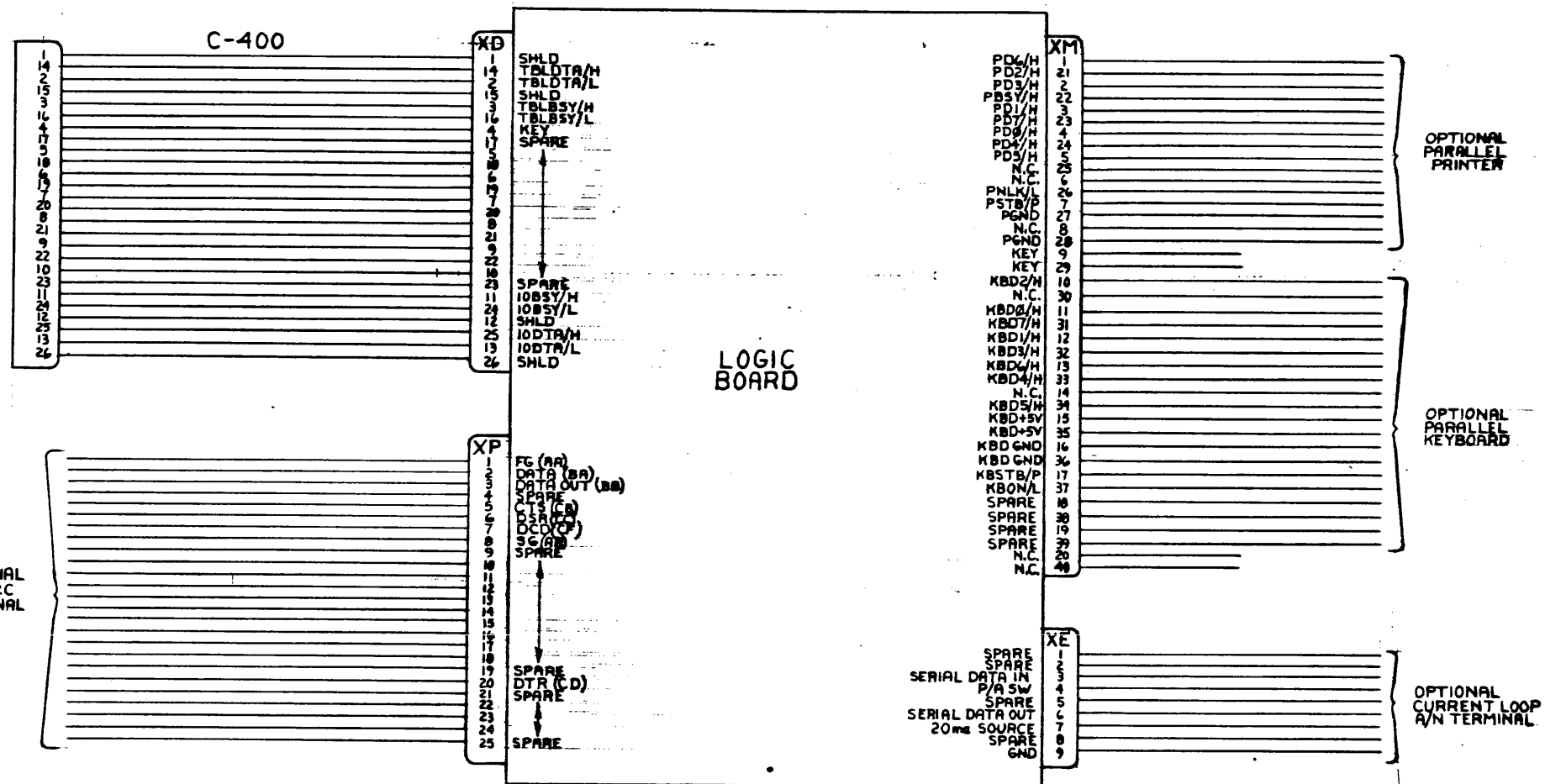
SCALE NONE

COMPUTERVISION CORP.
SOUTH AVENUE
BURLINGTON, MASS. 01803

TITLE CVD INTERCONNECTION DIAGRAM

SCALE NONE

REMOVE ALL BURRS AND SHARP EDGES



DS20E3002

B

THIS DRAWING CONTAINS INFORMATION PROPRIETARY TO COMPUTERVISION CORPORATION AND IS NOT TO BE USED OR REPRODUCED WITHOUT PERMISSION OF COMPUTERVISION CORPORATION.

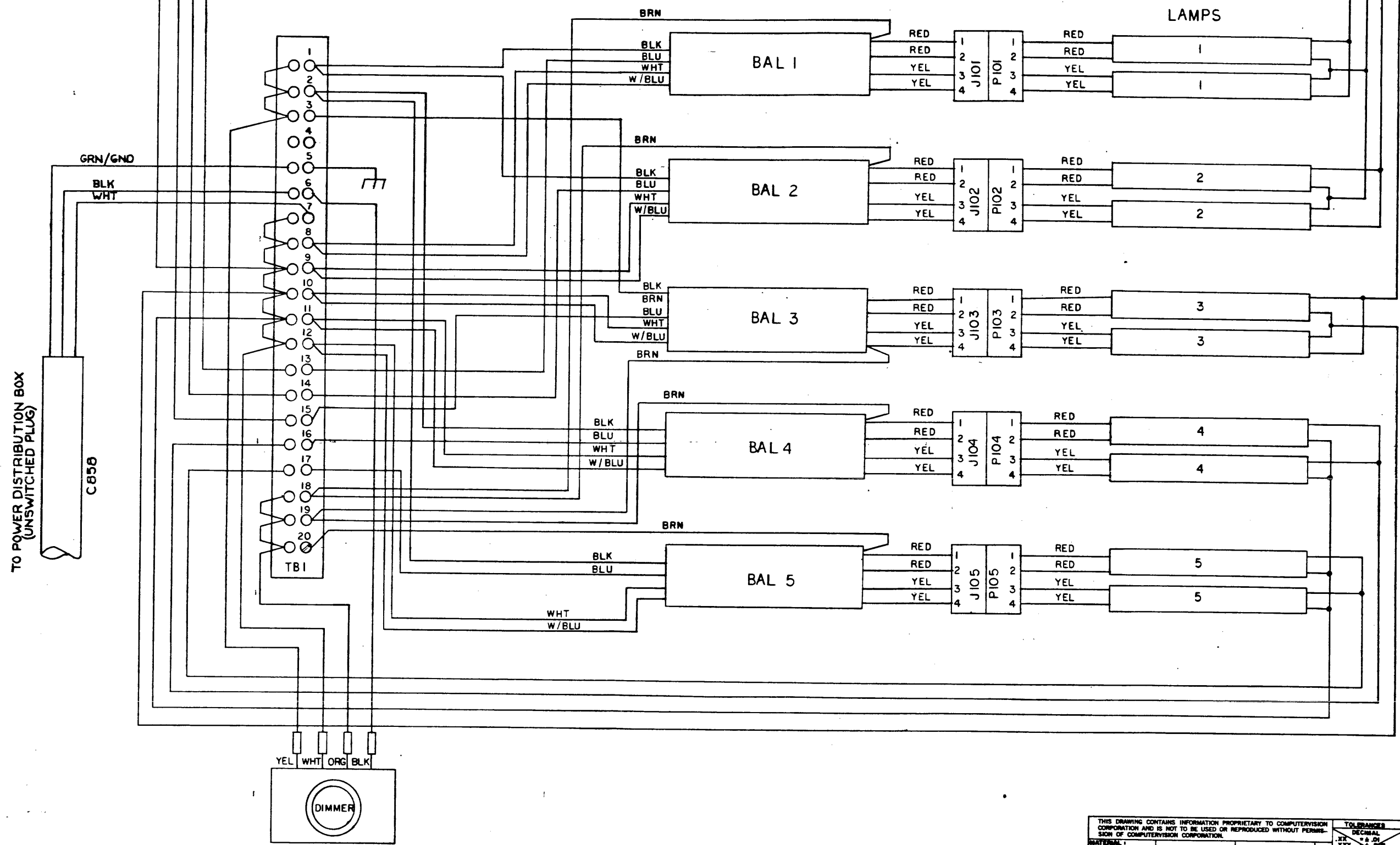
TOLERANCES	DECIMAL		
	.XX	± .01	
	.XXX	± .005	
	.XXXX	± .0010	
	FRACTIONAL	± F/100	
	ANGULAR	± .002	

BRND, DAVIDSON	1-77	BYN	REVISION DESCRIPTION	APPD DATE
CNK	2/77			
ENGR	2/77			
PROJ	2/77			

PART NUMBER: SEE SHEET 1 NEXT ASSEMBLY: QTY: SCALE: NONE

COMPUTERVISION CORP.
SOUTH AVENUE
BURLINGTON, MASS. 01803

TITLE: CVD INTERCONNECTION DIAGRAM
DWG NO: DS20E3002
SHEET 4 OF 4 SHEETS



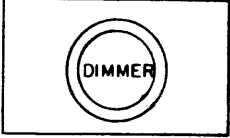
TO POWER DISTRIBUTION BOX
(UNSWITCHED PLUG)

GRN/GND

BLK
WHT

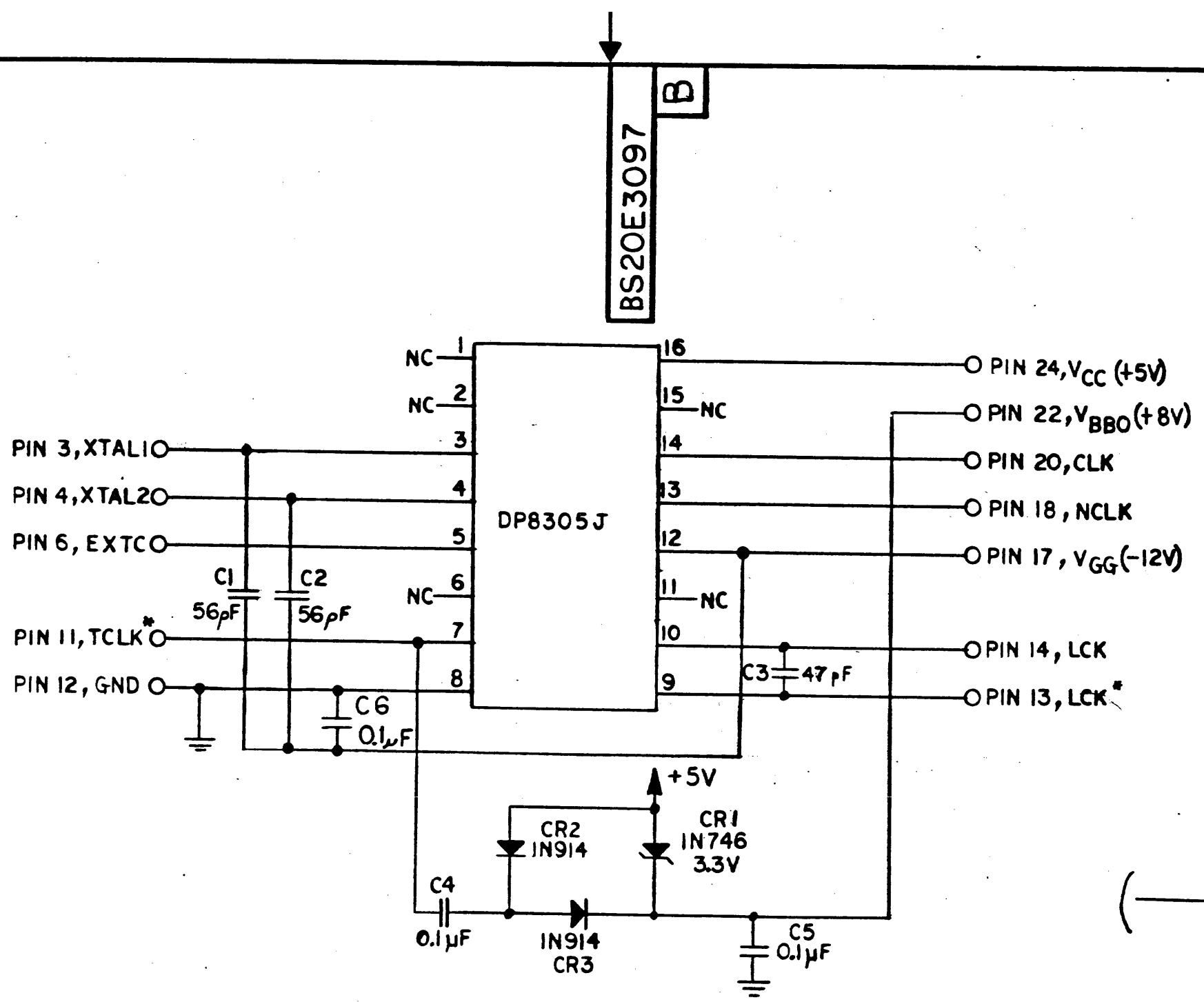
C858

YEL WHT ORG BLK



DS20E2196
B

THIS DRAWING CONTAINS INFORMATION PROPRIETARY TO COMPUTERVISION CORPORATION AND IS NOT TO BE USED OR REPRODUCED WITHOUT PERMISSION OF COMPUTERVISION CORPORATION.				TOLERANCES DECIMAL = & 01 = & 005 = & 0025 FRACTIONAL = 1/32 ANGULAR = & 30		B ECO #2440	
MATERIAL		A20M3015	REF			A REL ECO 2065	APPRO DATE
		L20X30071	REF				
		L20X2007	REF				
		A20M2011	REF				
PART NUMBER	NEXT ASSEMBLY	QTY				TITLE	REVISION DESCRIPTION
						SCHMATIC DIAGRAM	
						CVD BACK LIGHTING	
COMPUTERVISION CORP. SOUTH AVENUE BURLINGTON, MASS. 01803				SIGNATURE		SCALE	DATE
				REMOVE ALL DIMENSIONS AND SHARP EDGES		NONE	DS20E2196
							SHEET 1 OF 1



(—○) DENOTES 24-PIN ADAPTOR PLUG PIN

THIS DRAWING CONTAINS INFORMATION PROPRIETARY TO COMPUTERVISION CORPORATION AND IS NOT TO BE USED OR REPRODUCED WITHOUT PERMISSION OF COMPUTERVISION CORPORATION.				TOLERANCES					
MATERIAL:				DECIMAL					
<i>HL</i>				.XX = ± .01					
				.XXX = ± .005					
				.XXXX = ± .0010					
				FRACTIONAL = ± 1/64					
				ANGULAR = ± 1°00'					
FINISH:				DRN	R GETZ	8/77			
<i>HL</i>				CHK	<i>RUN</i>	8/77			
				ENGR	<i>RUN</i>	8/77			
				PROJ	<i>RUN</i>	8/77			
PART NUMBER				MFG	<i>RUN</i>	8/77			
NEXT ASSEMBLY				SIGNATURE		DATE			
COMPUTERVISION CORP.				REMOVE ALL BURRS AND SHARP EDGES		SCALE	NONE	DWG NO.	BS20E3097
201 Burlington Road						UNIT	<i>HL</i>	SHEET 1 OF 1 SHEETS	
Bedford, Massachusetts 01730						WT.			